

Installation

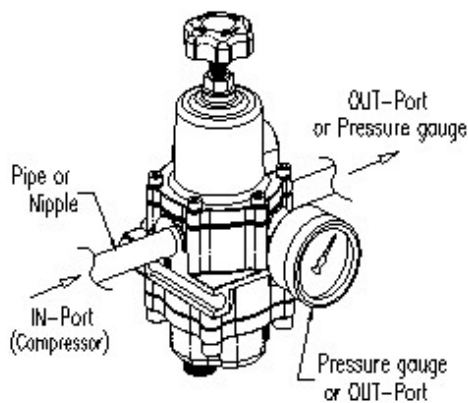
Safety Warning

Before installing the product, please read below procedures.

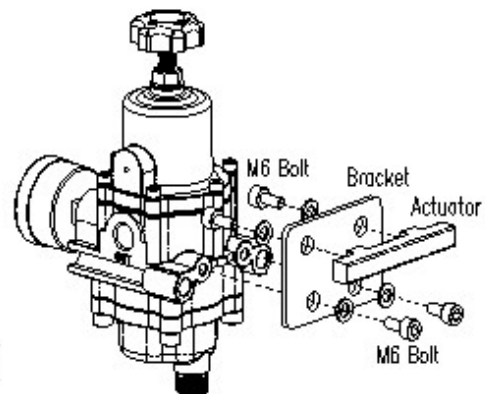
- Always wear safety equipments and follow safety procedures.
- Air must be clean and dry.
- Please operate within the range of specified capacity of the regulator in the manual. If exceeded, the product can be damaged and may result serious damages and accident.
- The product can be malfunctioned if any damages applied. Please treat the unit with appropriate care.
- For maintenance, release drain bolt on timely basis to extract any water inside.
- Filter must be replaced on timely basis. Filter usage depends on the environment/field.
- After pressure is set, please make sure adjust bolt is completely fastened.

Pipe Connection

YT-200 is used for constant supply pressure to positioned, actuator, solenoid valves, or etc. It can be installed without a bracket <Figure 1>, which can be installed on the pipeline. Before connecting with pipeline, please do make sure that the pipeline is emptied, and the size of the pipeline is appropriate for required capacity. It YT-200 must be installed on a bracket <Figure 2>, please make a bracket according to the product's dimension.



<Figure 1>



<Figure 2>