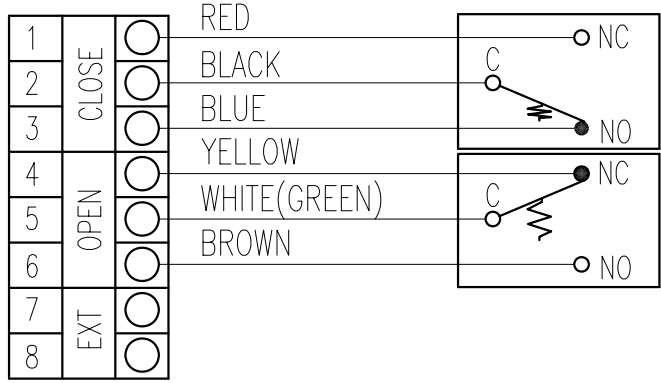
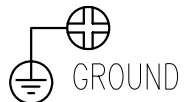
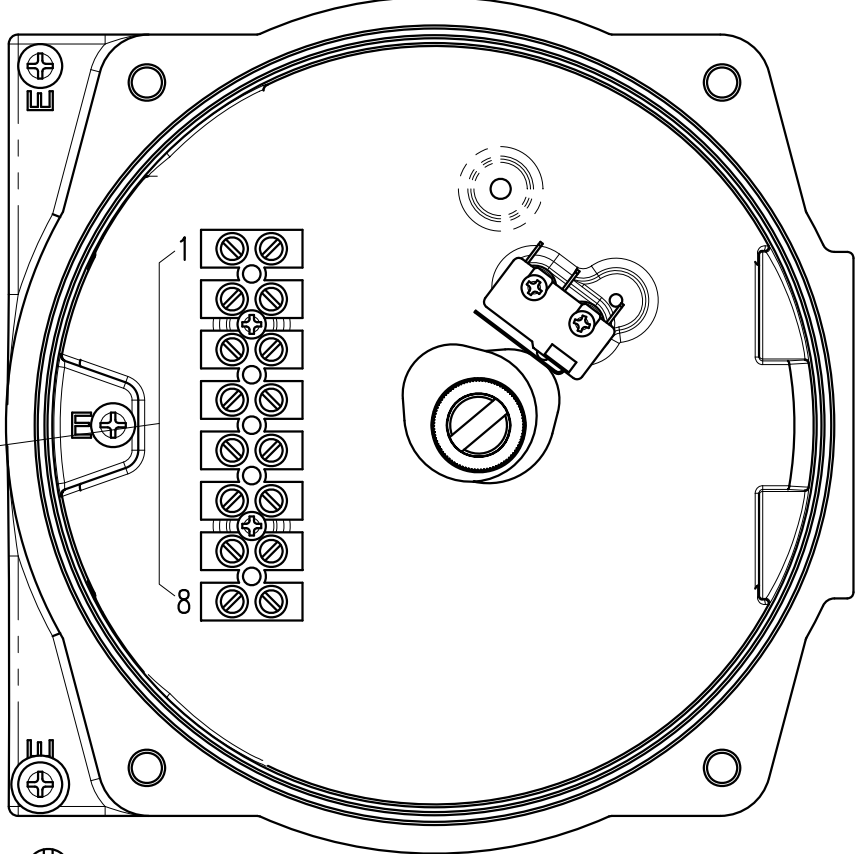


REV.NO.	REVISION DESCRIPTION	DRAWN / DATE	REVIEWED / DATE	APPROVED / DATE
△	FIRST ISSUED	HSS/090707	JCS/090707	LYH/090707
△				



PROJECT NAME 2SPDT

SURFACE TEXTURE		PRODUCT NAME LIMIT SWITCH BOX		YOUNG TECH CO., LTD. <small>SEOUL, KOREA</small>	
FINISH TREATMENT		MODEL YT-870		TITLE YT-870 WIRING DIAGRAM	
MATERIAL		PROJECTION	SCALE	DRAWING NO. 870-01	
OTHERWISE NOTE	GENERAL TOLERANCE	QUANTITY	SHEET No.	REV. 0	