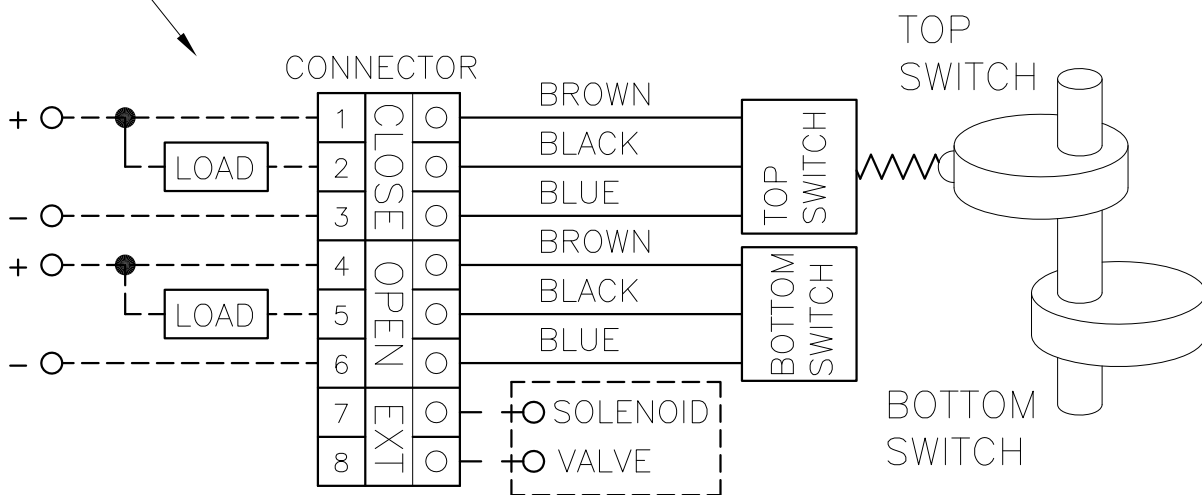
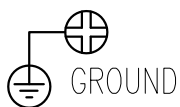
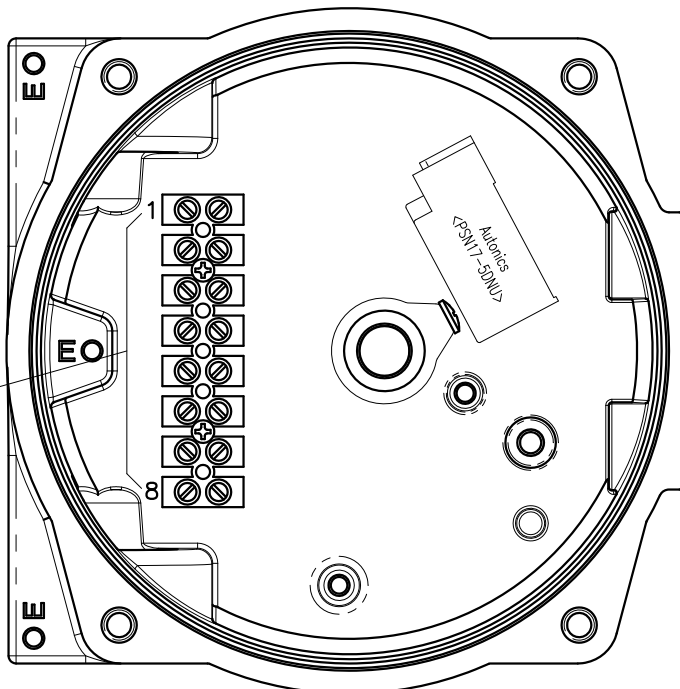


REV.NO.	REVISION DESCRIPTION	DRAWN / DATE	REVIEWED / DATE	APPROVED / DATE
△	FIRST ISSUED	KBJ/130204		JCS/130204
△				



PROJECT NAME **P-SENSOR(NPN)**

SURFACE TEXTURE		PRODUCT NAME <b>LIMIT SWITCH BOX</b>		<b>YOUNG TECH CO., LTD.</b> <small>SEOUL, KOREA</small>	
FINISH TREATMENT		MODEL <b>YT-870, 875</b>		TITLE <b>YT-870, 875 PROXIMITY SENSOR WIRING DIAGRAM</b>	
MATERIAL		PROJECTION	SCALE	DRAWING NO.	REV.
OTHERWISE NOTE	GENERAL TOLERANCE	QUANTITY	SHEET No.	<b>870-03</b>	<b>0</b>

2012.10.08