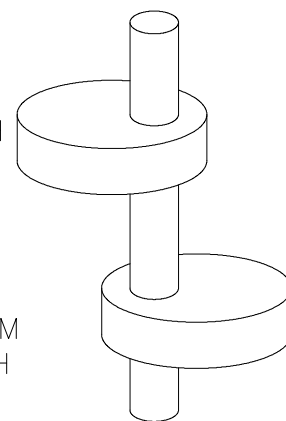
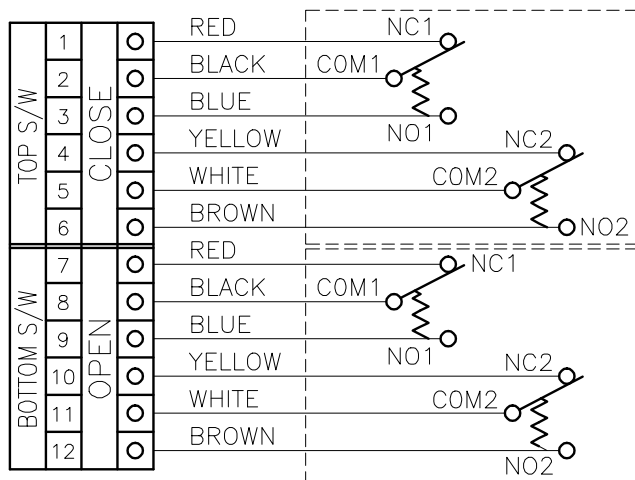
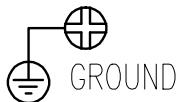
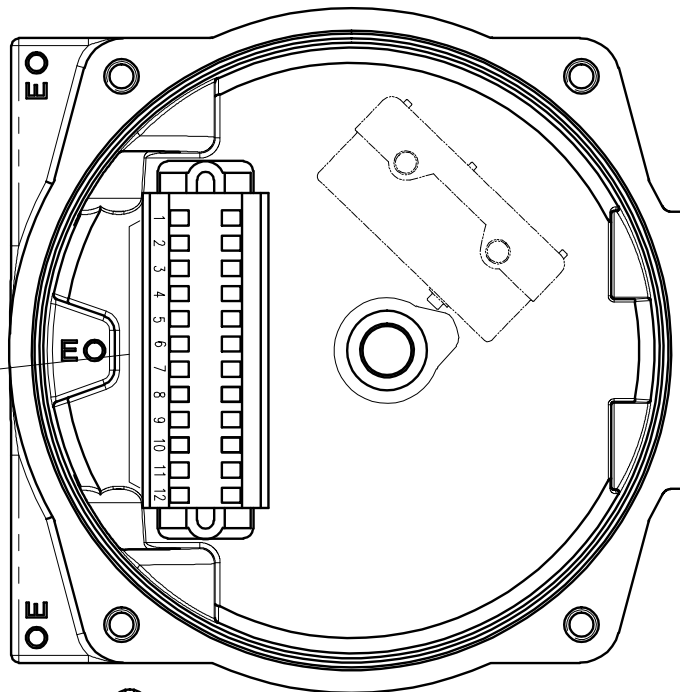



REV.NO.	REVISION DESCRIPTION	DRAWN / DATE	REVIEWED / DATE	APPROVED / DATE
△	FIRST ISSUED	KBJ/120207		JCS/120207
△				



PROJECT NAME **2DPDT**

SURFACE TEXTURE		PRODUCT NAME <b>LIMIT SWITCH BOX</b>		 <b>YOUNG TECH CO., LTD.</b> <small>SEOUL, KOREA</small>	
FINISH TREATMENT		MODEL <b>YT-870</b>			
MATERIAL		PROJECTION	SCALE	TITLE <b>YT-870 WIRING DIAGRAM</b>	
OTHERWISE NOTE	GENERAL TOLERANCE	QUANTITY	SHEET No.	DRAWING NO. <b>870-02</b>	REV. <b>0</b>