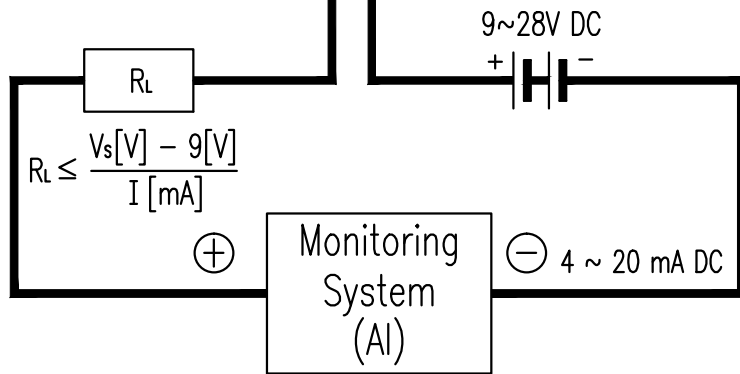
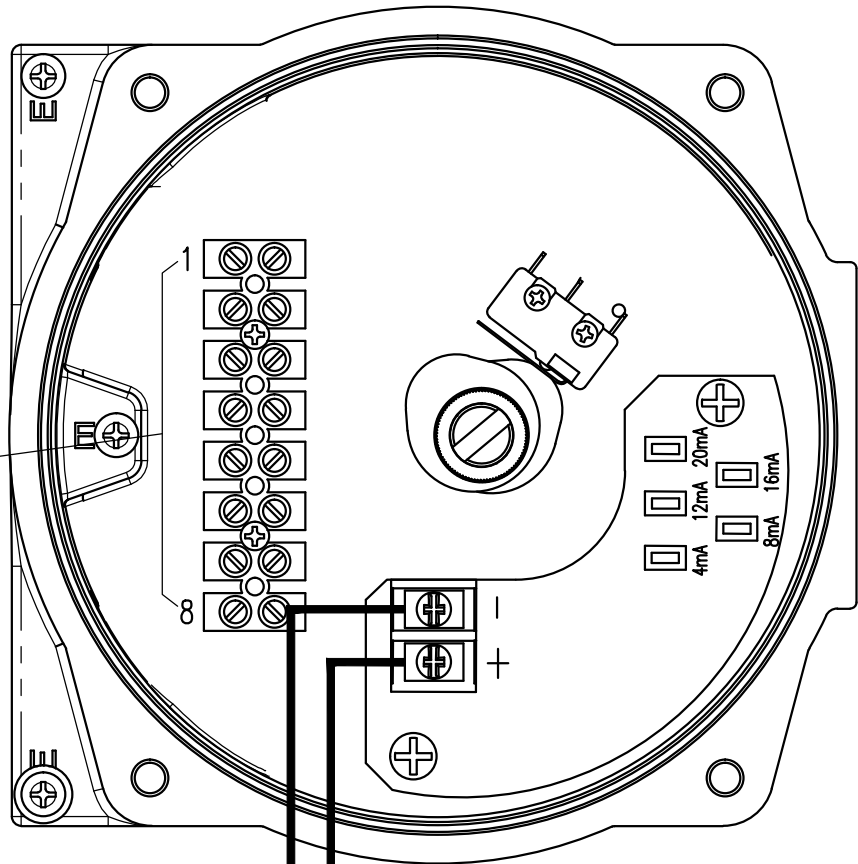
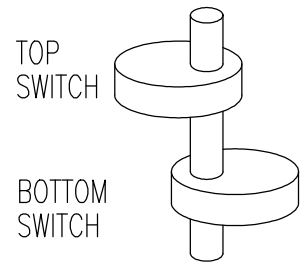


REV.NO.	REVISION DESCRIPTION	DRAWN / DATE	REVIEWED / DATE	APPROVED / DATE
△	FIRST ISSUED	JCS/20140110		LYH/20140110
△	DRAWING ARRANGEMENT	KSH/20160819	JJS/20160819	KTJ/20160819



1	CLOSE	○	RED	C	○	NC
2		○	BLACK		●	NO
3		○	BLUE	C	○	NC
4		○	YELLOW		●	NO
5	OPEN	○	WHITE(GREEN)	C	○	NC
6		○	BROWN		●	NO
7	EXT	○		C	○	NC
8		○			●	NO



PROJECT NAME _____

SURFACE TEXTURE		PRODUCT NAME LIMIT SWITCH BOX		YOUNG TECH CO., LTD. <small>GIMPO-SI, KOREA</small>	
FINISH TREATMENT		MODEL YT-870, 875		TITLE YT-870, 875	
MATERIAL		PROJECTION	SCALE	2SPDT+SPTM WIRING DIAGRAM	
OTHERWISE NOTE	GENERAL TOLERANCE	QUANTITY	SHEET No.	DRAWING NO. 870-05	REV. 0

2016.07.12