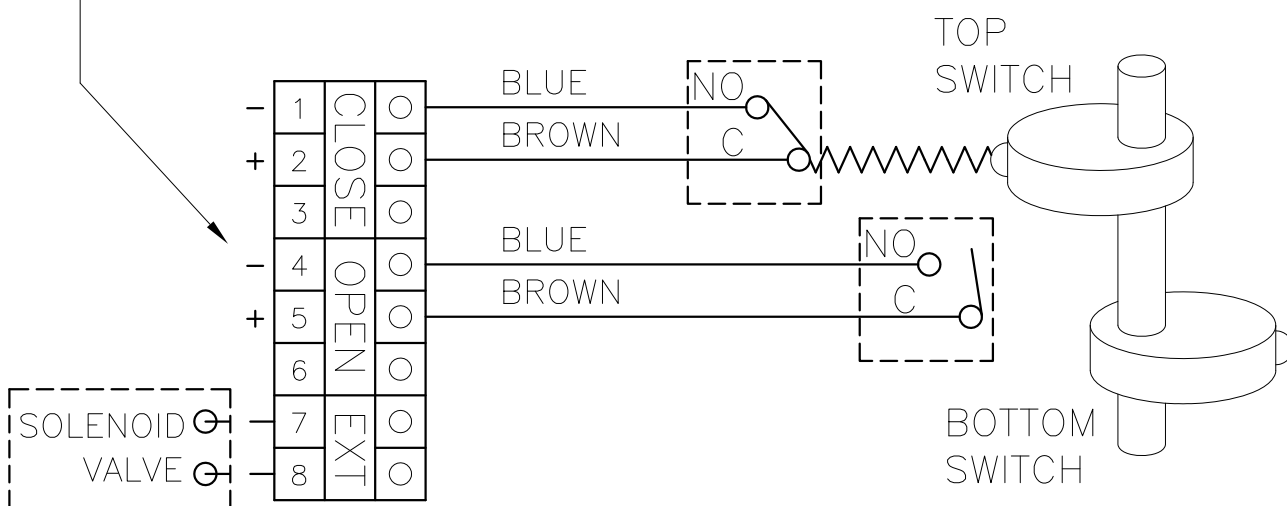
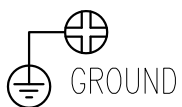
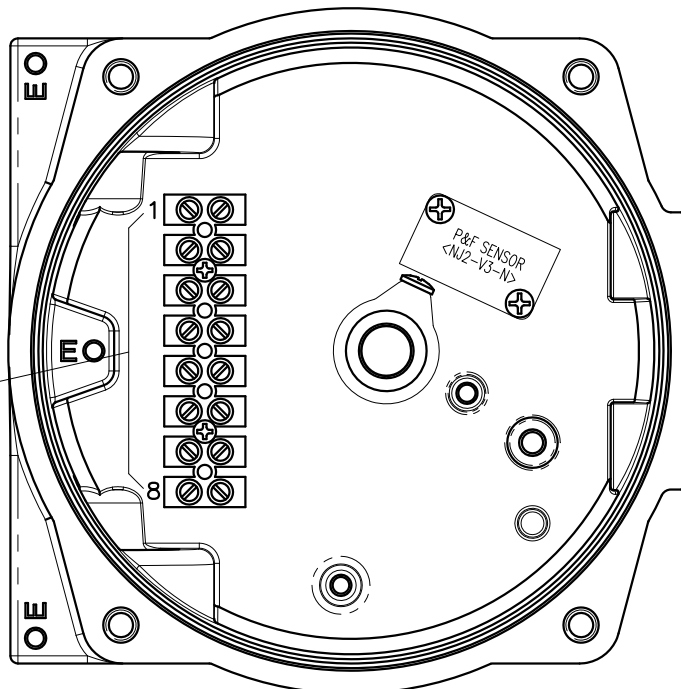



REV.NO.	REVISION DESCRIPTION	DRAWN / DATE	REVIEWED / DATE	APPROVED / DATE
△	FIRST ISSUED	KBJ/130204		JCS/130204
△				



PROJECT NAME **P&F**

SURFACE TEXTURE	PRODUCT NAME LIMIT SWITCH BOX		 YOUNG TECH CO., LTD. <small>SEOUL, KOREA</small>
FINISH TREATMENT	MODEL YT-870, 875		
MATERIAL	PROJECTION	SCALE	TITLE YT-870, 875 P&F WIRING DIAGRAM
OTHERWISE NOTE	GENERAL TOLERANCE	QUANTITY	DRAWING NO. 870-04
		SHEET No.	REV. 0

2012.10.08

YTC-A4