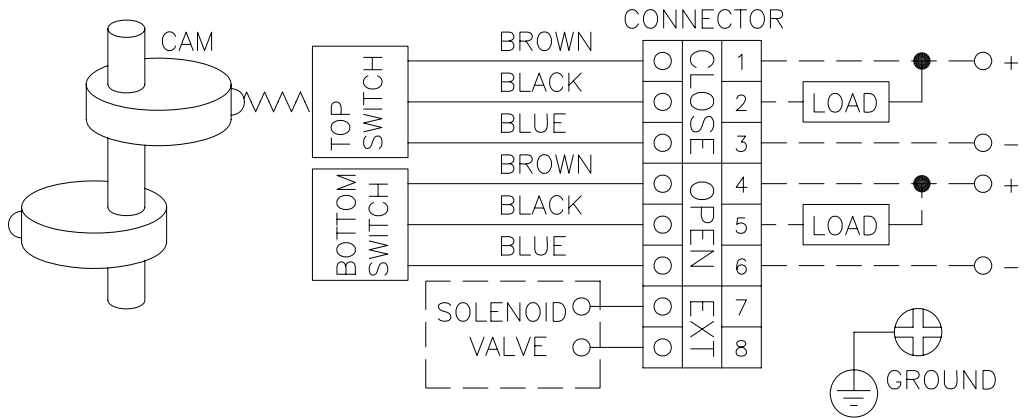
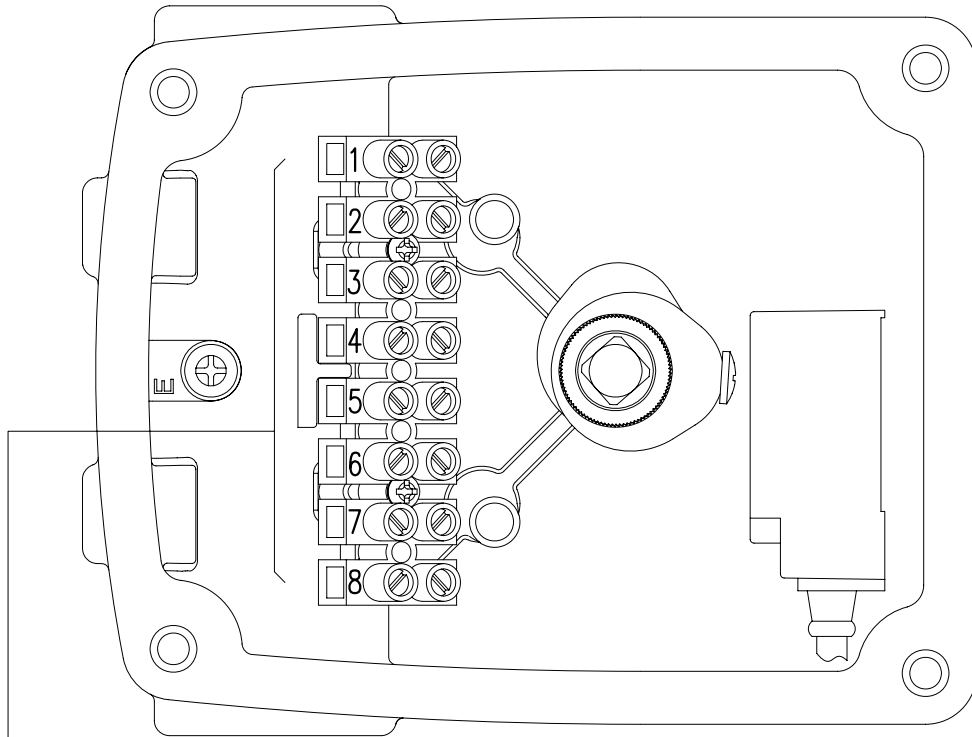



REV.NO.	REVISION DESCRIPTION	DRAWN / DATE	REVIEWED / DATE	APPROVED / DATE
△	FIRST ISSUED	JCS/050713	KCH/050713	LYH/050713
△				



PROJECT NAME **NPN Proximity Sensor**

SURFACE TEXTURE		PRODUCT NAME LIMIT SWITCH BOX		 YOUNG TECH CO., LTD. <small>SEOUL, KOREA</small>	
FINISH TREATMENT		MODEL YT-850		TITLE YT-850P WIRING DIAGRAM	
MATERIAL		PROJECTION	SCALE	DRAWING NO. 850-02	
OTHERWISE NOTE	GENERAL TOLERANCE	QUANTITY	SHEET No.	REV. 0	