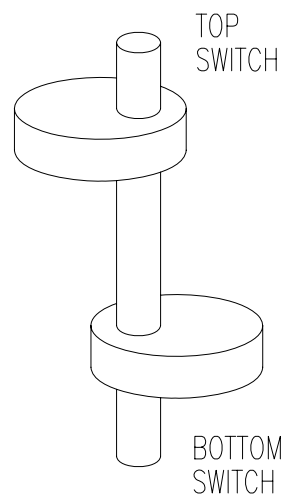
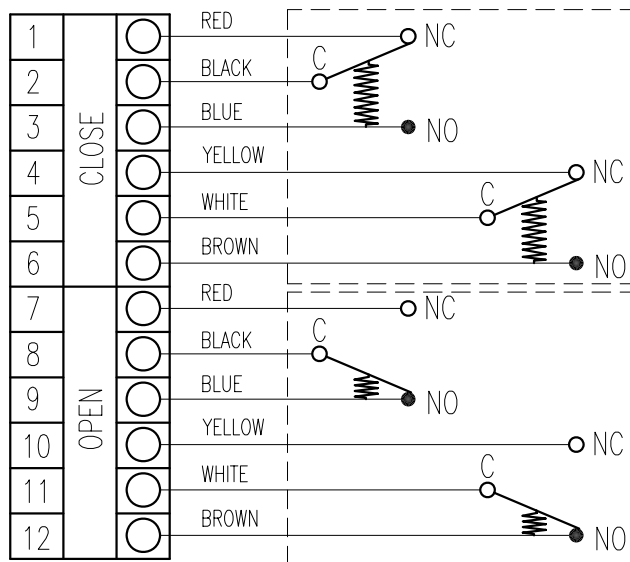
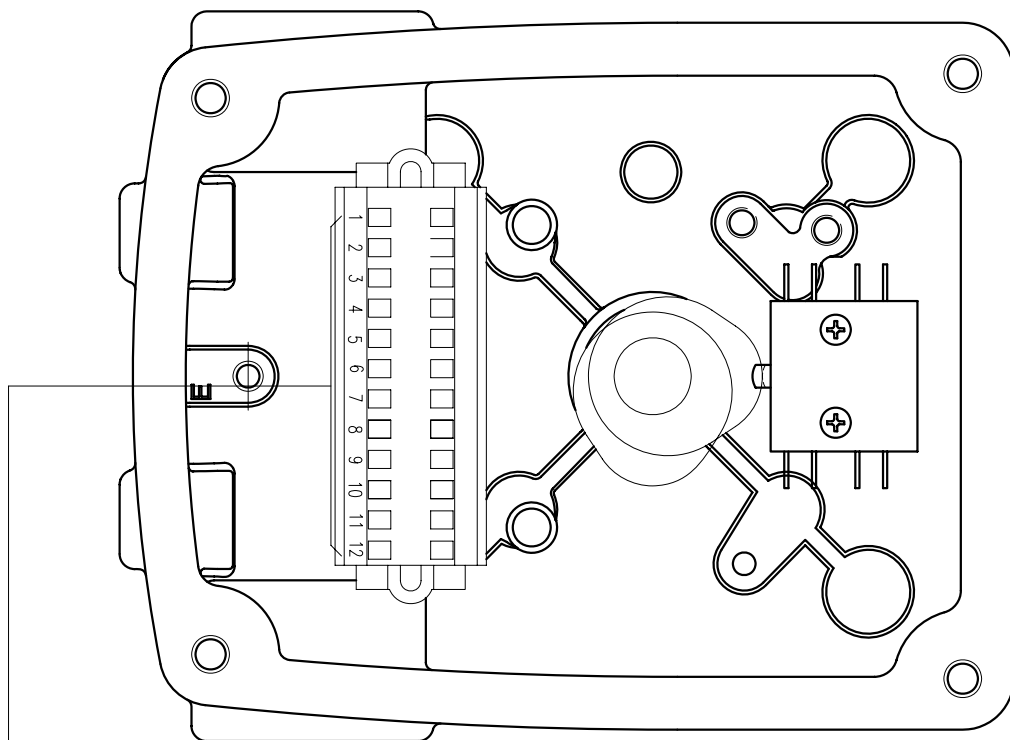



REV.NO.	REVISION DESCRIPTION	DRAWN / DATE	REVIEWED / DATE	APPROVED / DATE
△	FIRST ISSUED	JCS/061027	KCH/061027	LYH/061027
△				



PROJECT NAME -

SURFACE TEXTURE	PRODUCT NAME LIMIT SWITCH BOX	 YOUNG TECH CO., LTD. <small>SEOUL, KOREA</small>	
FINISH TREATMENT	MODEL YT-850	TITLE YT-850(DPDT SWITCH TYPE) WIRING DIAGRAM	
MATERIAL	PROJECTION	SCALE	DRAWING NO. 850-03
OTHERWISE NOTE	GENERAL TOLERANCE	QUANTITY	REV. 0
		SHEET No.	