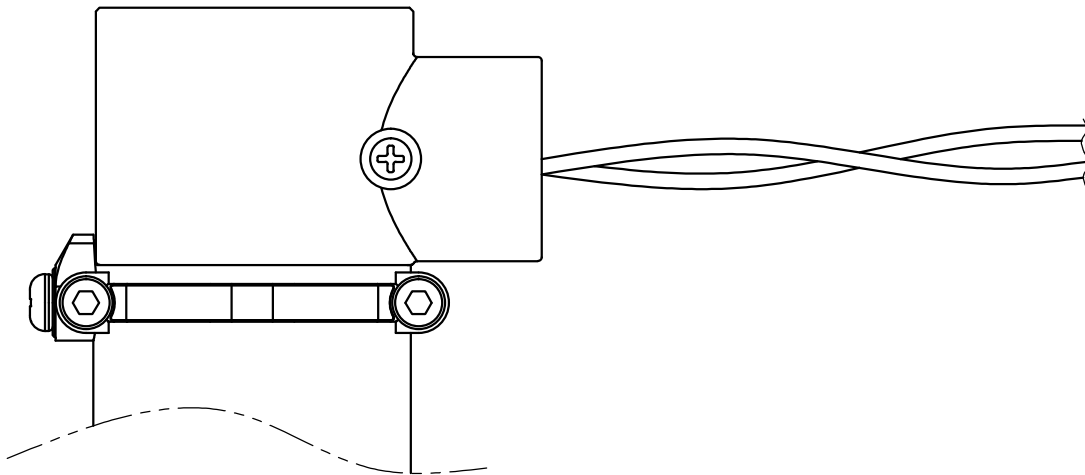
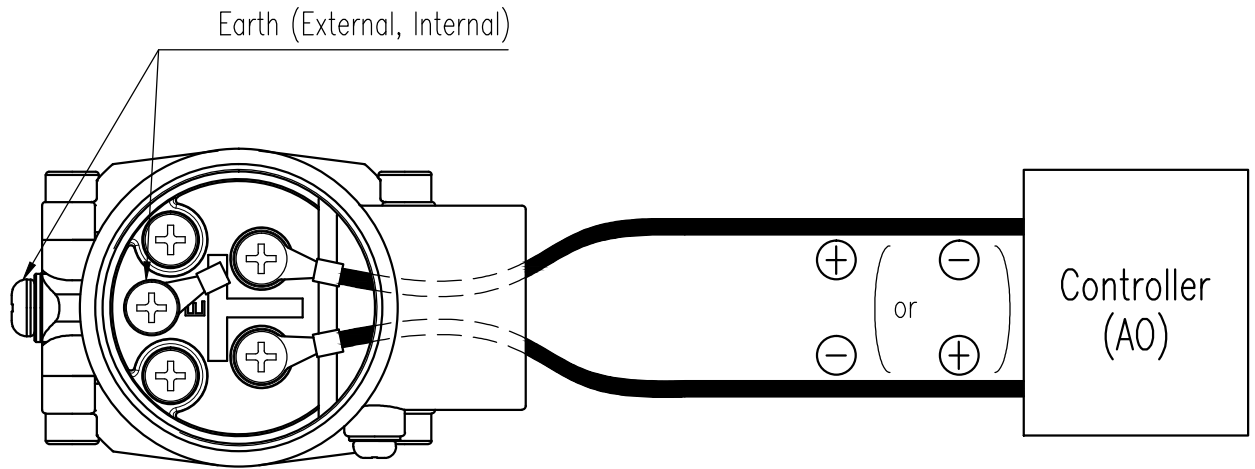



REV.NO.	REVISION DESCRIPTION	DRAWN / DATE	REVIEWED / DATE	APPROVED / DATE
△	FIRST ISSUED	KSH/20160819	JJS/20160819	KTJ/20160819
△				



RATING CURRENT SIGNAL

VOLTAGE	TYPE	YT-720S, D (3, 4WAY)
AC 220V		60mA(11W)
AC 110V		130mA(12W)
DC 24V		580mA(14W)

PROJECT NAME -

SURFACE TEXTURE		PRODUCT NAME AIR SOLENOID VALVE		 YOUNG TECH CO., LTD. <small>GIMPO-SI, KOREA</small>	
FINISH TREATMENT		MODEL YT-720		TITLE YT-720 (S or D) WIRING DIAGRAM	
MATERIAL		PROJECTION	SCALE	DRAWING NO. 720	
OTHERWISE NOTE	GENERAL TOLERANCE	QUANTITY	SHEET No.	REV. 0	

2016.07.12