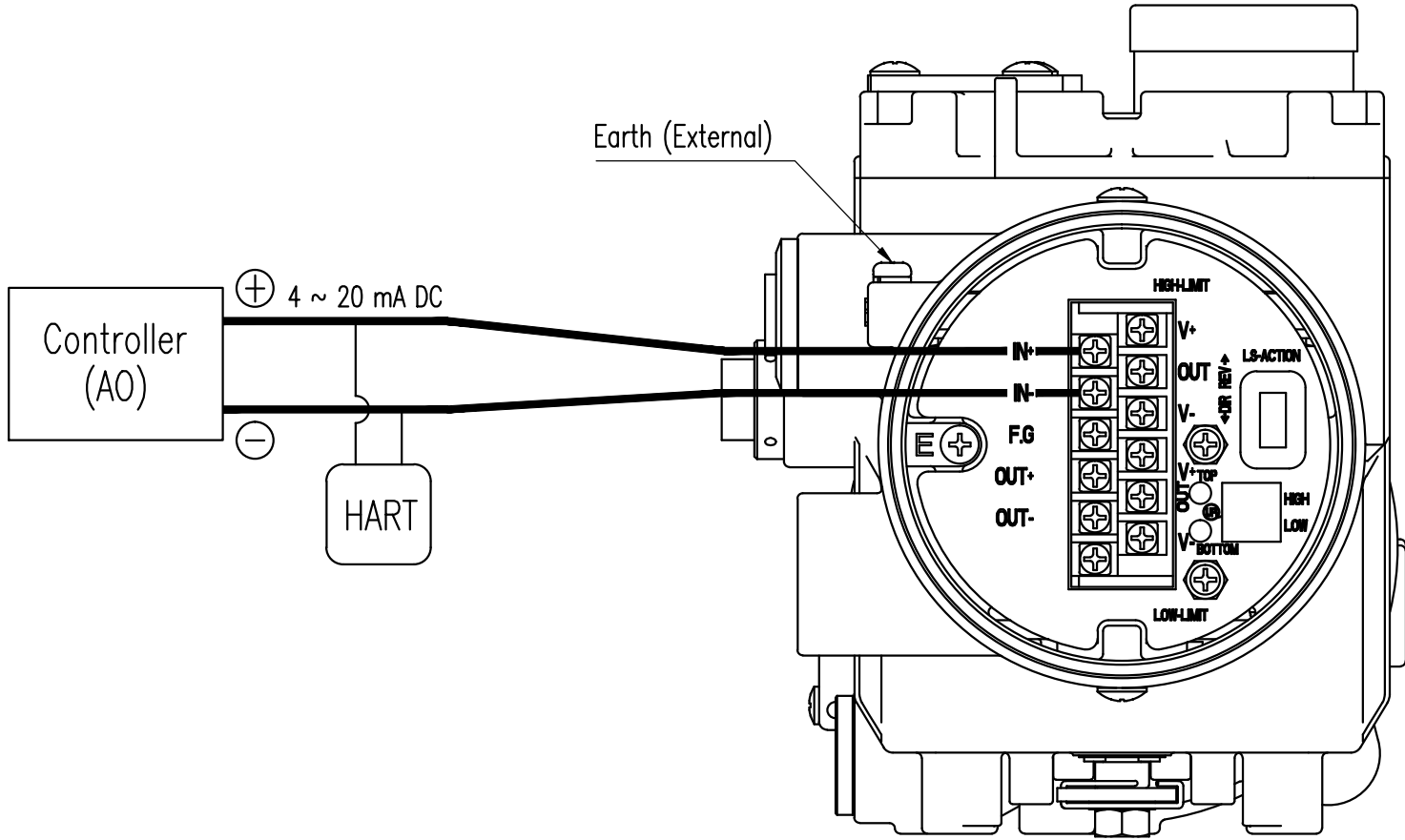


REV.NO.	REVISION DESCRIPTION	DRAWN / DATE	REVIEWED / DATE	APPROVED / DATE
△	First Issued	KCH/20110915	JCS/20110915	LYH/20110915
△	DRAWING ARRANGEMENT	KSH/20160819	JJS/20160819	KTJ/20160819



PROJECT NAME \_\_\_\_\_

SURFACE TEXTURE		PRODUCT NAME <b>SMART POSITIONER</b>	
FINISH TREATMENT		MODEL <b>YT-3400</b>	
MATERIAL		PROJECTION	SCALE
OTHERWISE NOTE	GENERAL TOLERANCE	QUANTITY	SHEET No.

<b>YOUNG TECH CO., LTD.</b> <small>GIMPO-SI, KOREA</small>			
		<b>TITLE</b> <b>YT-3400+HART WIRING DIAGRAM</b>	
DRAWING NO.		REV.	
<b>3400-05</b>		<b>1</b>	

2016.07.12