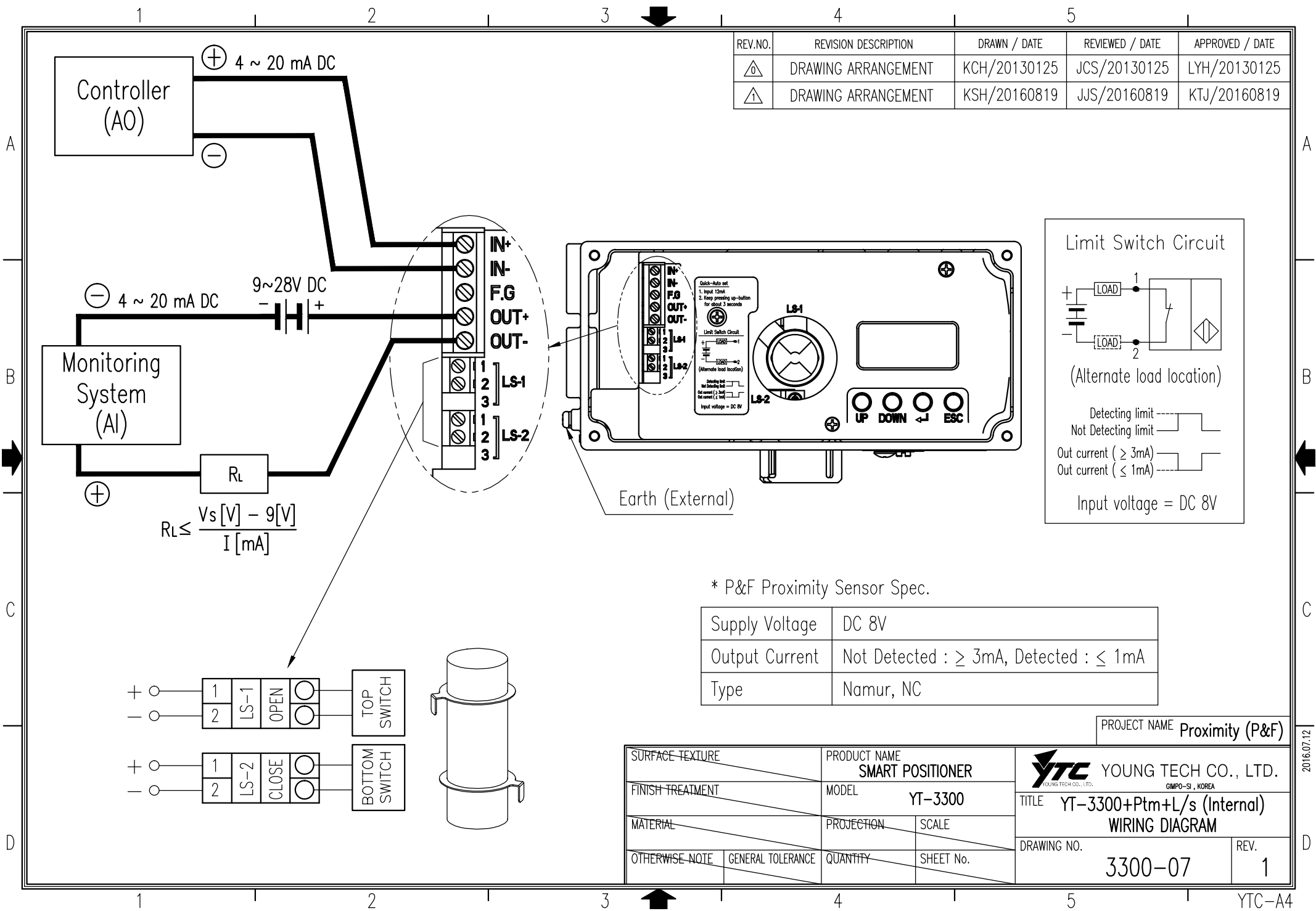
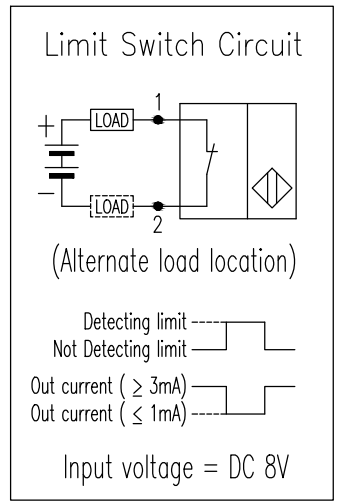


REV.NO.	REVISION DESCRIPTION	DRAWN / DATE	REVIEWED / DATE	APPROVED / DATE
△	DRAWING ARRANGEMENT	KCH/20130125	JCS/20130125	LYH/20130125
△	DRAWING ARRANGEMENT	KSH/20160819	JJS/20160819	KTJ/20160819

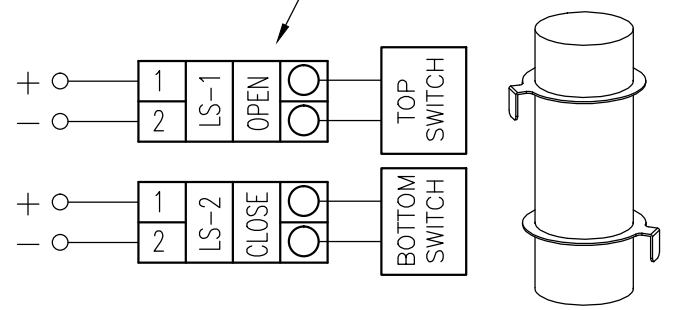


$$R_L \leq \frac{V_s [V] - 9[V]}{I [mA]}$$



* P&F Proximity Sensor Spec.

Supply Voltage	DC 8V
Output Current	Not Detected : ≥ 3mA, Detected : ≤ 1mA
Type	Namur, NC



PROJECT NAME Proximity (P&F)

SURFACE TEXTURE		PRODUCT NAME SMART POSITIONER		YOUNG TECH CO., LTD. GIMPO-SI, KOREA	
FINISH TREATMENT		MODEL YT-3300			
MATERIAL		PROJECTION	SCALE	TITLE YT-3300+Ptm+L/s (Internal) WIRING DIAGRAM	
OTHERWISE NOTE	GENERAL TOLERANCE	QUANTITY	SHEET No.	DRAWING NO. 3300-07	REV. 1