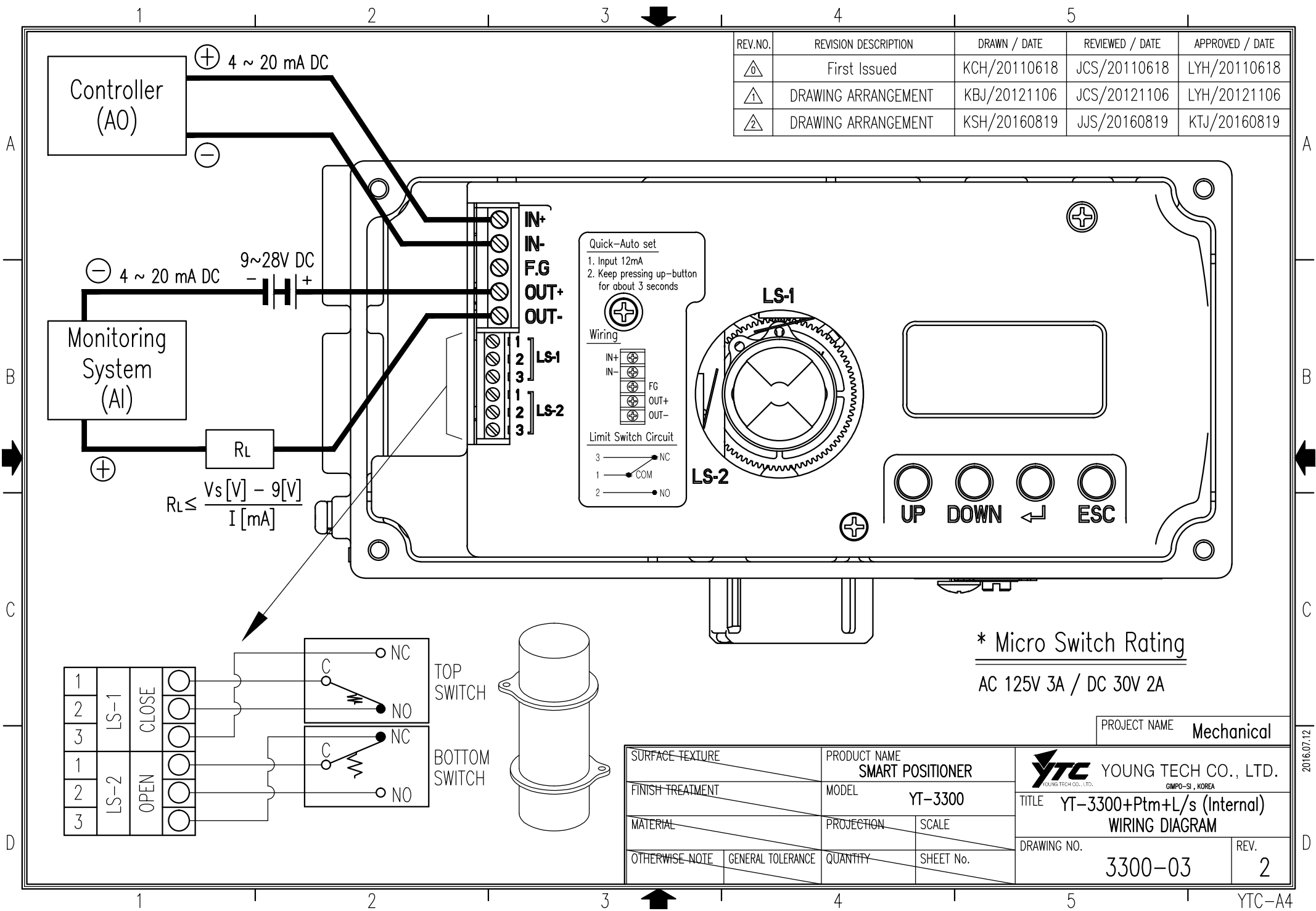


REV.NO.	REVISION DESCRIPTION	DRAWN / DATE	REVIEWED / DATE	APPROVED / DATE
△0	First Issued	KCH/20110618	JCS/20110618	LYH/20110618
△1	DRAWING ARRANGEMENT	KBJ/20121106	JCS/20121106	LYH/20121106
△2	DRAWING ARRANGEMENT	KSH/20160819	JJS/20160819	KTJ/20160819



**Quick-Auto set**  
 1. Input 12mA  
 2. Keep pressing up-button for about 3 seconds

**Wiring**

IN+

IN-

FG

OUT+

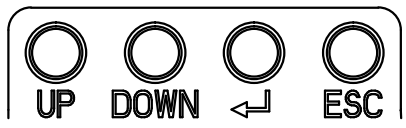
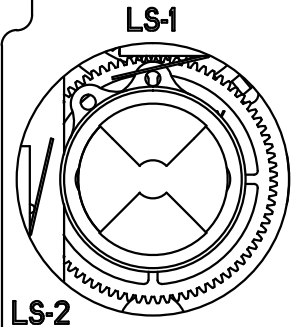
OUT-

**Limit Switch Circuit**

3 — NC

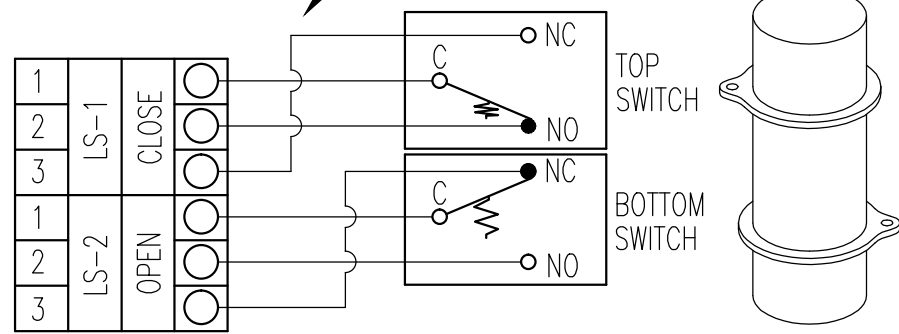
1 — COM

2 — NO



$$R_L \leq \frac{V_s [V] - 9[V]}{I [mA]}$$

\* Micro Switch Rating  
 AC 125V 3A / DC 30V 2A



SURFACE TEXTURE		PRODUCT NAME <b>SMART POSITIONER</b>	
FINISH TREATMENT		MODEL <b>YT-3300</b>	
MATERIAL		PROJECTION	SCALE
OTHERWISE NOTE		GENERAL TOLERANCE	QUANTITY
		SHEET No.	

PROJECT NAME <b>Mechanical</b>	
<b>YOUNG TECH CO., LTD.</b> <small>GIMPO-SI, KOREA</small>	
TITLE <b>YT-3300+Ptm+L/s (Internal)</b>	
<b>WIRING DIAGRAM</b>	
DRAWING NO. <b>3300-03</b>	REV. <b>2</b>