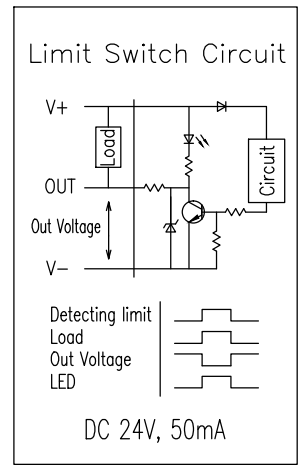
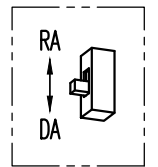
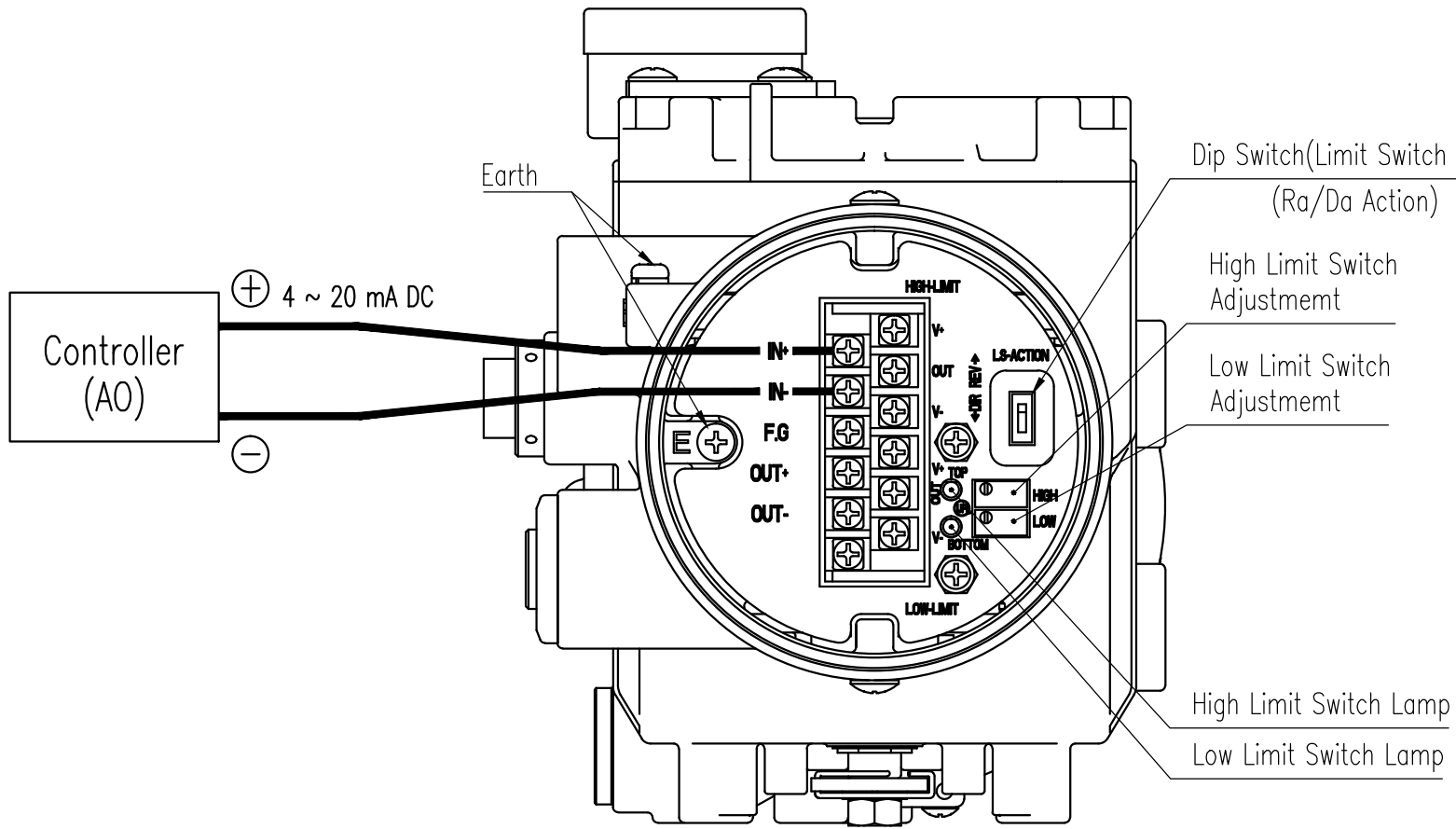



REV.NO.	REVISION DESCRIPTION	DRAWN / DATE	REVIEWED / DATE	APPROVED / DATE
△0	First Issued	KCH/20111010	JJS/20111010	LYH/20111010
△1	Com → OUT	KSH/20160325	KCH/20160325	JCS/20160325
△2	DRAWING ARRANGEMENT	KSH/20160819	JJS/20160819	KTJ/20160819



PROJECT NAME _____

SURFACE TEXTURE		PRODUCT NAME SMART POSITIONER		 YOUNG TECH CO., LTD. <small>GIMPO-SI, KOREA</small>	
FINISH TREATMENT		MODEL YT-2600			
MATERIAL		PROJECTION	SCALE	TITLE YT-2600+L/S(Internal) WIRING DIAGRAM	
OTHERWISE NOTE	GENERAL TOLERANCE	QUANTITY	SHEET No.	DRAWING NO. 2600-03	REV. 2

2016.07.12