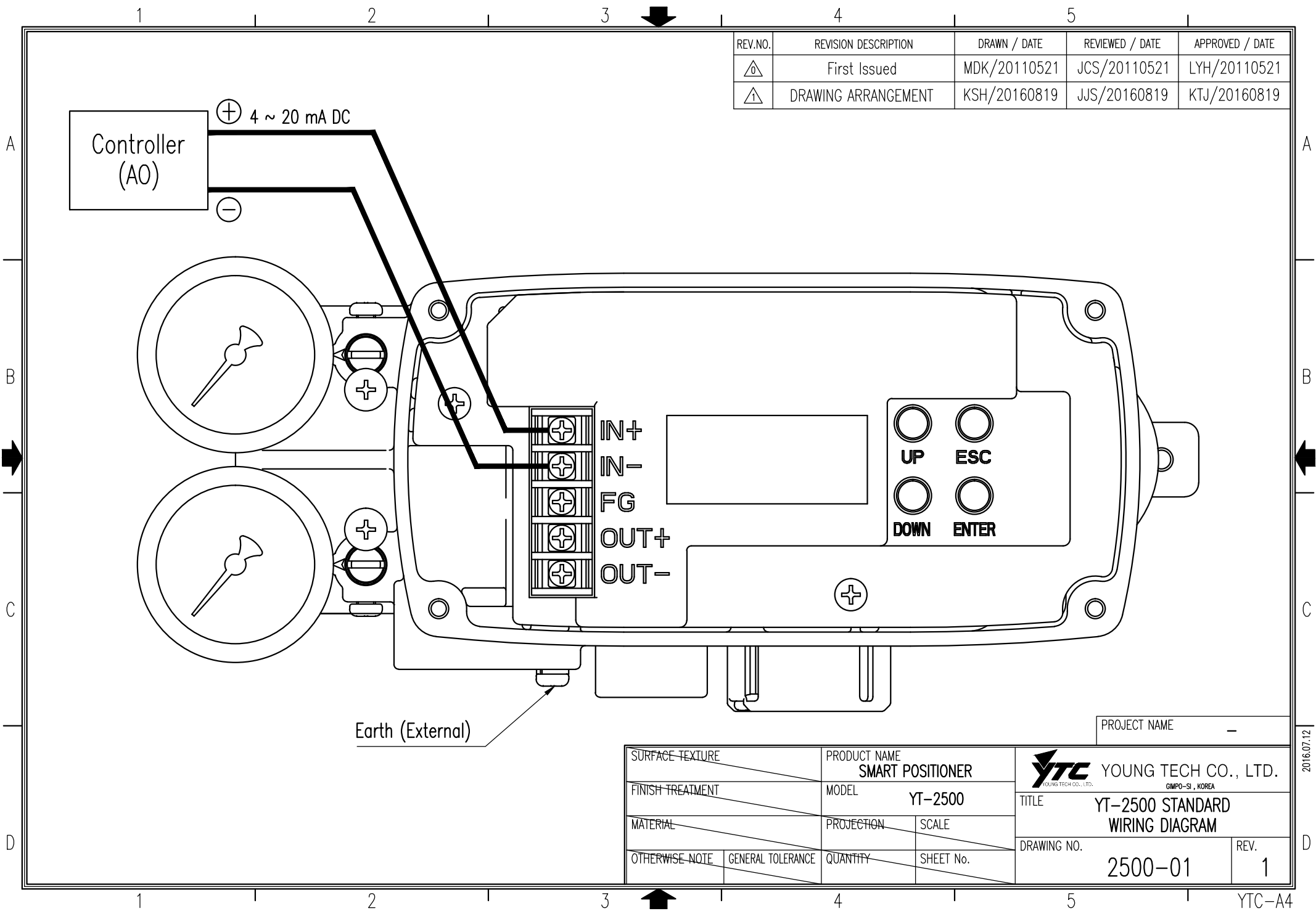



REV.NO.	REVISION DESCRIPTION	DRAWN / DATE	REVIEWED / DATE	APPROVED / DATE
△	First Issued	MDK/20110521	JCS/20110521	LYH/20110521
△	DRAWING ARRANGEMENT	KSH/20160819	JJS/20160819	KTJ/20160819



PROJECT NAME -

SURFACE TEXTURE		PRODUCT NAME SMART POSITIONER		 YOUNG TECH CO., LTD. <small>GIMPO-SI, KOREA</small>	
FINISH TREATMENT		MODEL YT-2500			
MATERIAL		PROJECTION	SCALE	TITLE YT-2500 STANDARD WIRING DIAGRAM	
OTHERWISE NOTE	GENERAL TOLERANCE	QUANTITY	SHEET No.	DRAWING NO. 2500-01	REV. 1

2016.07.12