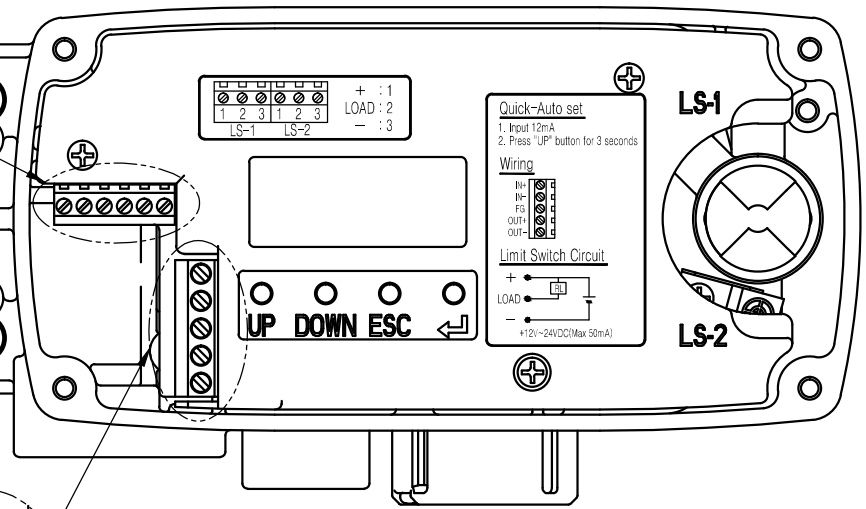
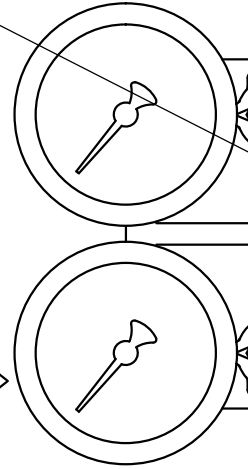
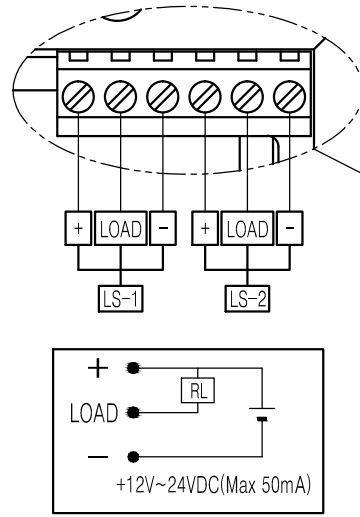
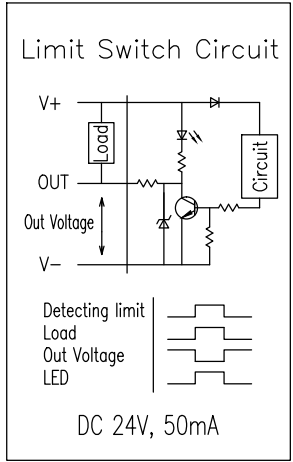
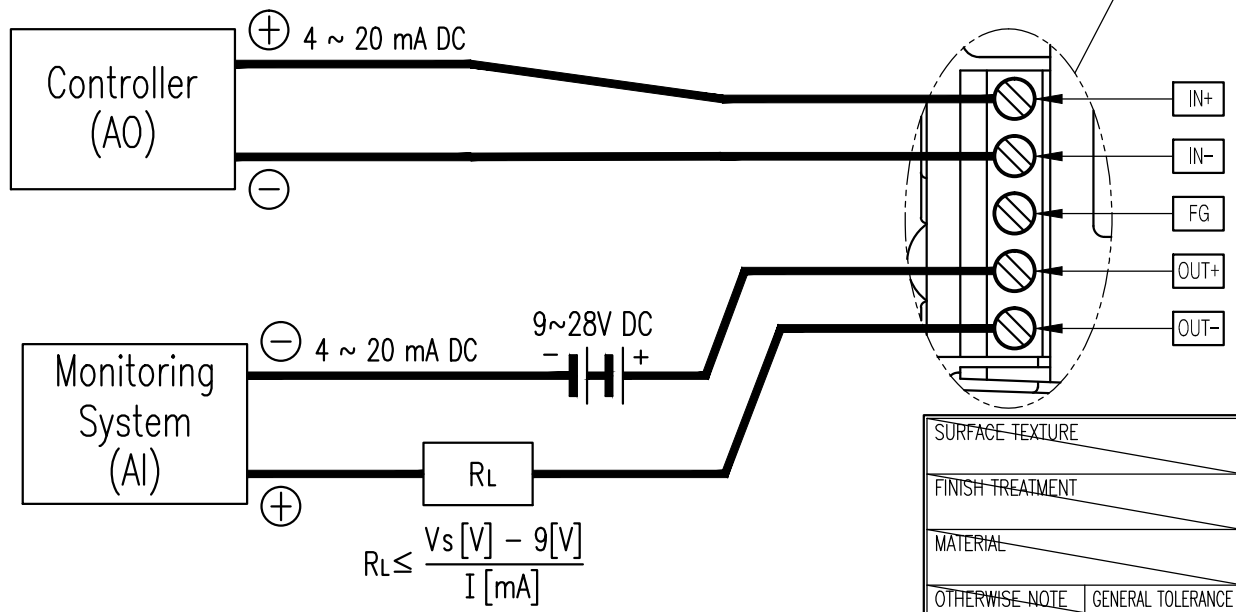


REV.NO.	REVISION DESCRIPTION	DRAWN / DATE	REVIEWED / DATE	APPROVED / DATE
△0	First Issued	CHK/20110618	JCS/20110618	LYH/20110618
△1	DRAWING ARRANGEMENT	KBJ/20121106	JCS/20121106	LYH/20121106
△2	Com → OUT	KSH/20160325	KCH/20160325	JCS/20160325
△3	DRAWING ARRANGEMENT	KSH/20160819	JJS/20160819	KTJ/20160819



<PROXIMITY SENSOR(OMRON) TERMINAL>



\* OMRON Proximity Sensor Spec.

Supply Voltage	DC12~24V, Ripple : below 10%
Output Current	Max. 50mA
Type	NPN (Open Collector)

PROJECT NAME PROXIMITY(OMRON)

SURFACE TEXTURE	PRODUCT NAME SMART POSITIONER	YOUNG TECH CO., LTD. GIMPO-SI, KOREA	
FINISH TREATMENT	MODEL YT-2500		
MATERIAL	PROJECTION	SCALE	DRAWING NO. 2500-04
OTHERWISE NOTE	GENERAL TOLERANCE	QUANTITY	SHEET No. 3

2016.07.12