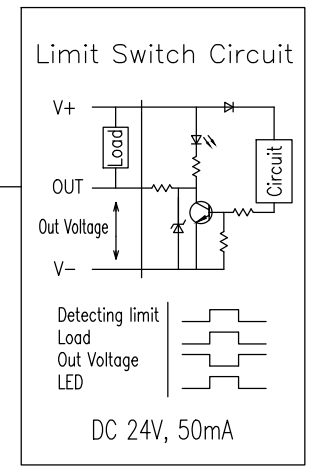
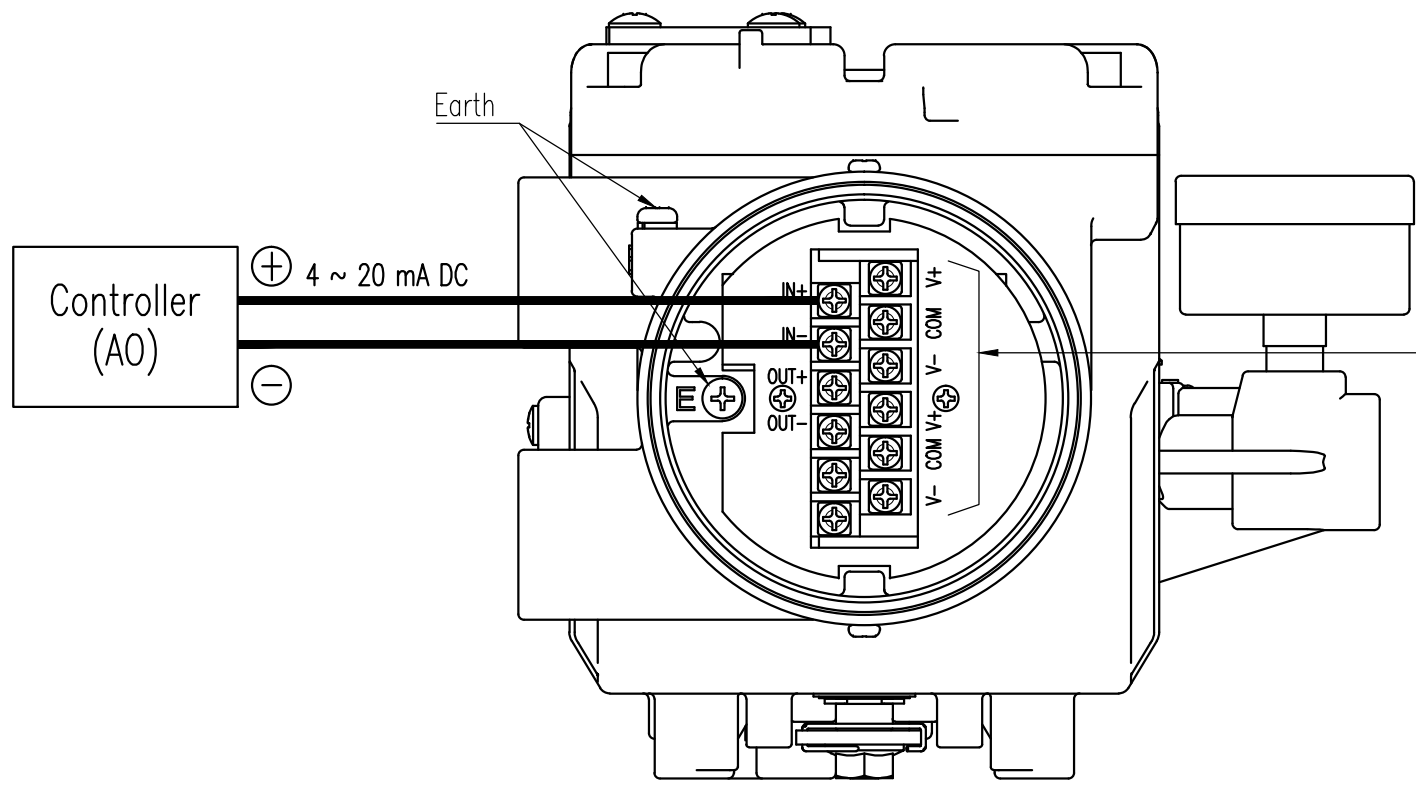



REV.NO.	REVISION DESCRIPTION	DRAWN / DATE	REVIEWED / DATE	APPROVED / DATE
△0	First Issued	KCH/20110618	JCS/20110618	LYH/20110618
△1	Com → OUT	KSH/20160325	KCH/20160325	JCS/20160325
△2	DRAWING ARRANGEMENT	KSH/20160819	JJS/20160819	KTJ/20160819



PROJECT NAME \_\_\_\_\_

SURFACE TEXTURE		PRODUCT NAME <b>SMART POSITIONER</b>		 <b>YOUNG TECH CO., LTD.</b> <small>GIMPO-SI, KOREA</small>	
FINISH TREATMENT		MODEL <b>YT-2400</b>			
MATERIAL		PROJECTION	SCALE	TITLE <b>YT-2400+L/S(Internal) WIRING DIAGRAM</b>	
OTHERWISE NOTE	GENERAL TOLERANCE	QUANTITY	SHEET No.	DRAWING NO. <b>2400-04</b>	REV. <b>2</b>

2016.07.12