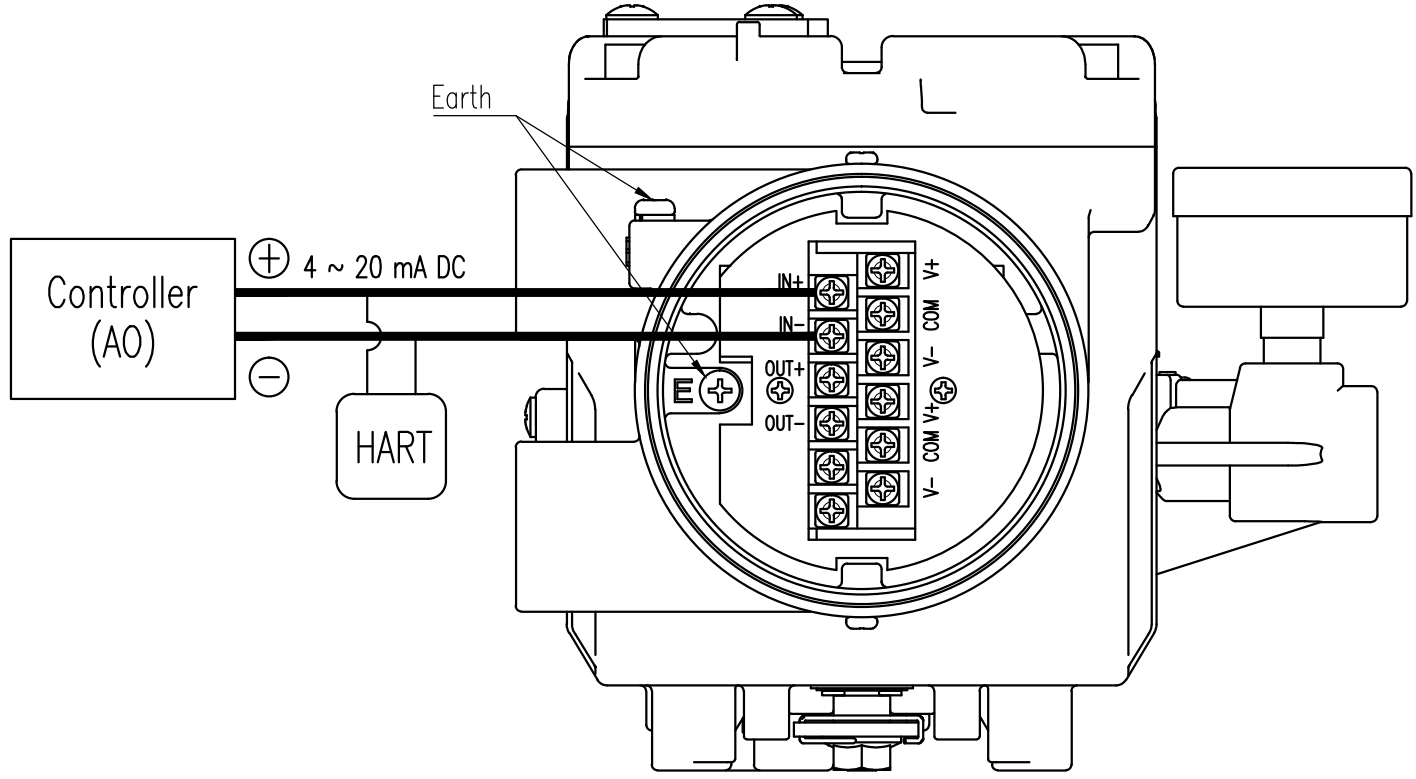



REV.NO.	REVISION DESCRIPTION	DRAWN / DATE	REVIEWED / DATE	APPROVED / DATE
△	FIRST ISSUED	KCH/20110915	JCS/20110915	LYH/20110915
△	DRAWING ARRANGEMENT	KSH/20160819	JJS/20160819	KTJ/20160819



PROJECT NAME -

SURFACE TEXTURE		PRODUCT NAME <b>SMART POSITIONER</b>		 <b>YOUNG TECH CO., LTD.</b> <small>GIMPO-SI, KOREA</small>	
FINISH TREATMENT		MODEL <b>YT-2400</b>			
MATERIAL		PROJECTION	SCALE	<b>YT-2400+HART WIRING DIAGRAM</b>	
OTHERWISE NOTE	GENERAL TOLERANCE	QUANTITY	SHEET No.		
				DRAWING NO. <b>2400-05</b>	REV. <b>1</b>

2016.07.12