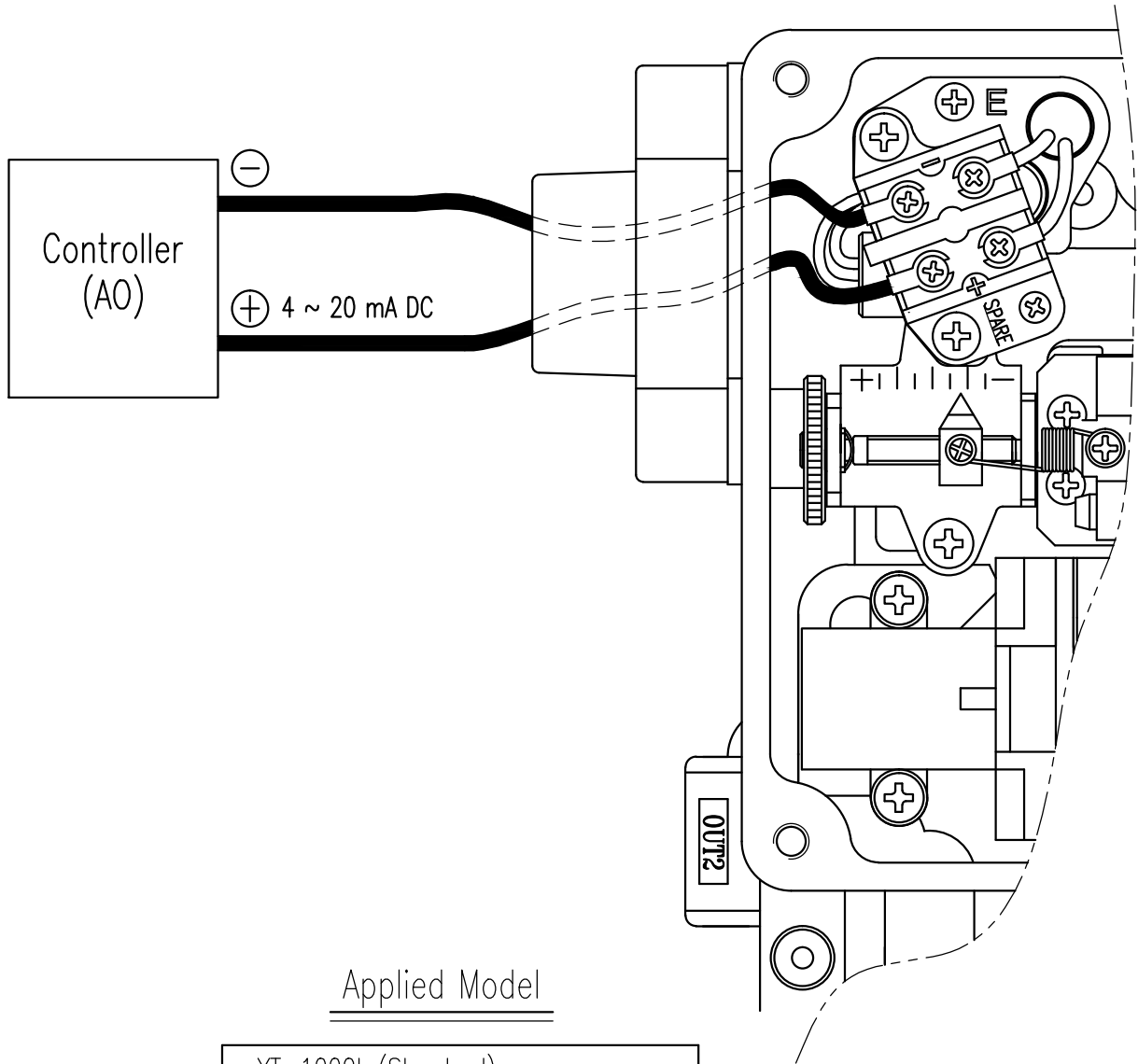



REV.NO.	REVISION DESCRIPTION	DRAWN / DATE	REVIEWED / DATE	APPROVED / DATE
△	FIRST ISSUED	JCS/20050104	KCH/20050104	LYH/20050104
△	DRAWING ARRANGEMENT	KSH/20160819	JJS/20160819	KTJ/20160819



Applied Model

YT-1000L (Standard)
YT-1000R (Standard)
YT-1000R DOME COVER
YT-1000R with L/S(External)
YT-1000R with PTM(External)
YT-1000R with PTM & L/S(External)

PROJECT NAME -

SURFACE TEXTURE		PRODUCT NAME E/P POSITIONER		 <b>YOUNG TECH CO., LTD.</b> <small>GIMPO-SI, KOREA</small>	
FINISH TREATMENT		MODEL YT-1000		TITLE YT-1000R (NON-EXPLOSION, INTRINSIC SAFETY) WIRING DIAGRAM	
MATERIAL		PROJECTION	SCALE	DRAWING NO.	REV.
OTHERWISE NOTE	GENERAL TOLERANCE	QUANTITY	SHEET No.	1000-02	1

2016.07.12