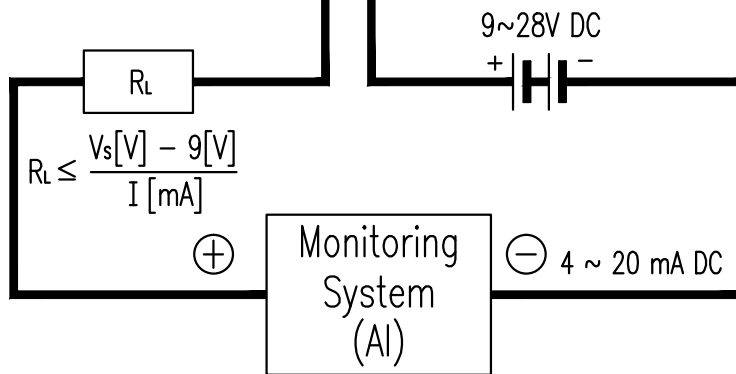
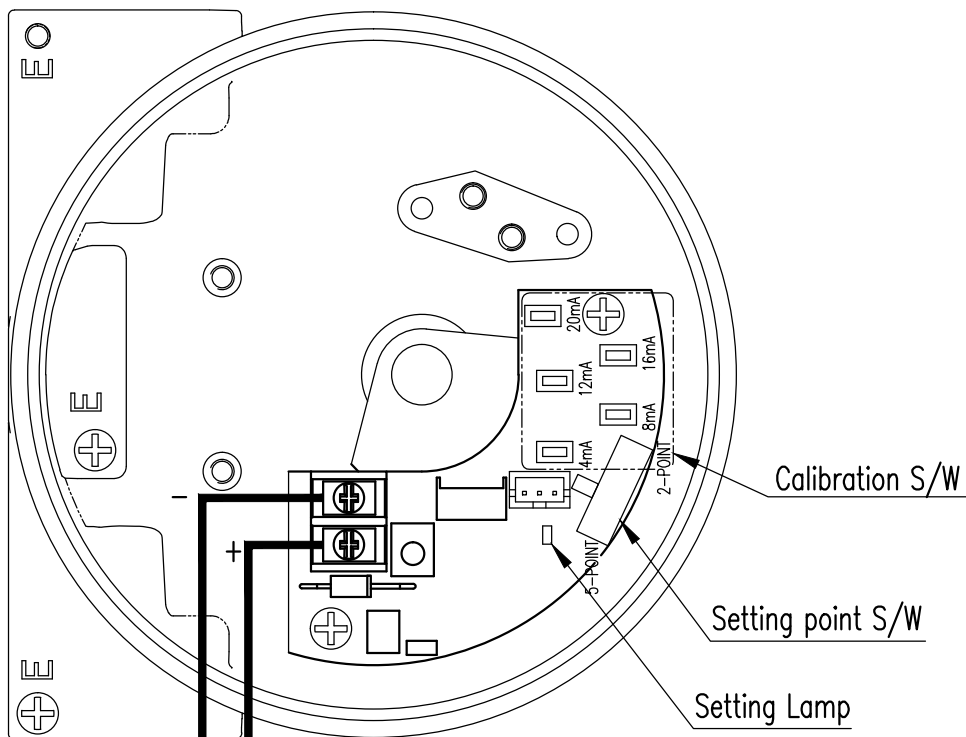


REV.NO.	REVISION DESCRIPTION	DRAWN / DATE	REVIEWED / DATE	APPROVED / DATE
△0	FIRST ISSUED	KCH/20100625	JCS/20100625	LYH/20100625
△1	DRAWING ARRANGEMENT	KBJ/20121106	JCS/20121106	LYH/20121106
△2	REVISED SPECIFICATIONS	OSS/20141219	JCS/20141219	LYH/20141219
△3	DRAWING ARRANGEMENT	KSH/20160819	JJS/20160819	KTJ/20160819



NOTE

1. The PCB of SPTM-6V is applied

SURFACE TEXTURE		PRODUCT NAME POSITION TRANSMITTER		PROJECT NAME -	
FINISH TREATMENT		MODEL SPTM-6V		YTC YOUNG TECH CO., LTD. GIMPO-SI, KOREA	
MATERIAL		PROJECTION	SCALE	TITLE SPTM-6V STANDARD WIRING DIAGRAM	
OTHERWISE NOTE	GENERAL TOLERANCE	QUANTITY	SHEET No.	DRAWING NO. SP-07	REV. 3

2016.07.12