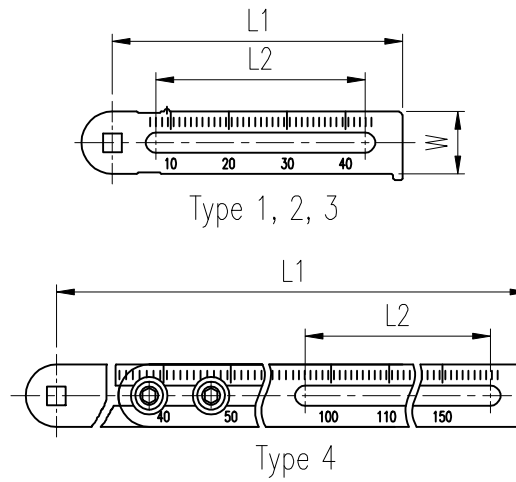


UNIT : mm

Lever Type	Stroke	L1	L2	W
1	10~40	93.0	67.0	20.0
2	20~70	153.5	106.5	
3	50~100	214.0	117.0	
4	100~150	307.3		



- Earth (External, Internal)
1. Minimum Size Wire 1mm or 18AWG.
  2. M4\*5 0.7P Round Head Screw
  3. M4 Spring washer

2-PF1/2 (G 1/2)

During connecting cable or conduits, it is necessary to follow flame-proof certified procedure or flame-proof certified cable gland or flexible coupling.

REV.NO.	REVISION DESCRIPTION	DRAWN / DATE	REVIEWED / DATE	APPROVED / DATE
△	최초 작성	DKMIN/090626	CSJUNG/090626	YHLEE/090626
△	SPECIFICATIONS 정리	DKMIN/100305	CSJUNG/100305	YHLEE/100305
△	치수표기 오류 수정	SSOH/120223	CSJUNG/120223	YHLEE/120223
△	LEVER 및 LEVER SPRING 변경	DKMIN/121220	CSJUNG/121220	YHLEE/121220

**SPECIFICATIONS**

Acting Type	<input type="checkbox"/> Single	<input type="checkbox"/> Double
Input Signal	4 ~ 20mA DC	
Impedance	Max 460 Ohm/20mA DC	
Supply Pressure	0.14 ~ 0.7MPa (1.4 ~ 7bar)	
Explosion Proof	Ex d IIC T6	
Stroke	10 ~ 150mm	
Repeatability	±0.3% F.S.	
Operating Temp.	-30 ~ 85°C (-22 ~ 185°F)	
Explosion Ambient Temp.	-40 ~ 70°C (-40 ~ 158°F)	
Hysteresis	±0.5% F.S.	
Sensitivity	±0.2% F.S.	
Linearity	±0.5% F.S.	
Air Connection	(N)PT 1/4	
Gauge Connection	(N)PT 1/8	
Conduit	PF 1/2 (G 1/2)	
Air consumption	Below 0.01LPM (sup=0.14MPa)	
Flow Capacity	60LPM (sup=0.14MPa)	
Protection	IP66	
Main Board	MPU	16 bit Micro Controller
	A/D Converter	12 bit
	D/A Converter	12 bit
LCD	Operation Temp.	-20 ~ 70°C (-4 ~ 158°F)
Output Characteristics	<input type="checkbox"/> Linear	<input type="checkbox"/> EQ%
	<input type="checkbox"/> User defined	<input type="checkbox"/> Quick Open
Material	Aluminum Diecasting	
Weight	3.0kg (6.61 lb)	
Lever Type	<input type="checkbox"/> 10~40mm	<input type="checkbox"/> 20~70mm
	<input type="checkbox"/> 50~100mm	<input type="checkbox"/> 100~150mm
Internal free volume	1,250cm <sup>3</sup>	

5	FEEDBACK LEVER	STS304	1	
4	COVER PILOT	ALDC12	1	
3	COVER TERMINAL	ALDC12	1	
2	COVER BASE	ALDC12	1	
1	BODY BASE	ALDC12	1	
NO.	PART NAME	MATERIAL	Q'TY	REMARK

SURFACE TEXTURE	PRODUCT NAME	<b>YTC</b> YOUNG TECH CO., LTD. SEOUL, KOREA	
FINISH TREATMENT	MODEL	SMART POSITIONER YT-2600L	
MATERIAL	PROJECTION	SCALE	TITLE
OTHERWISE NOTE	GENERAL TOLERANCE	3rd	SMART LINEAR POSITIONER ASS'Y DWG (Explosion Proof)
	QUANTITY	1 / 3	DRAWING NO.
	SHEET No.	1 / 1	YT-2600L
			REV.
			2