

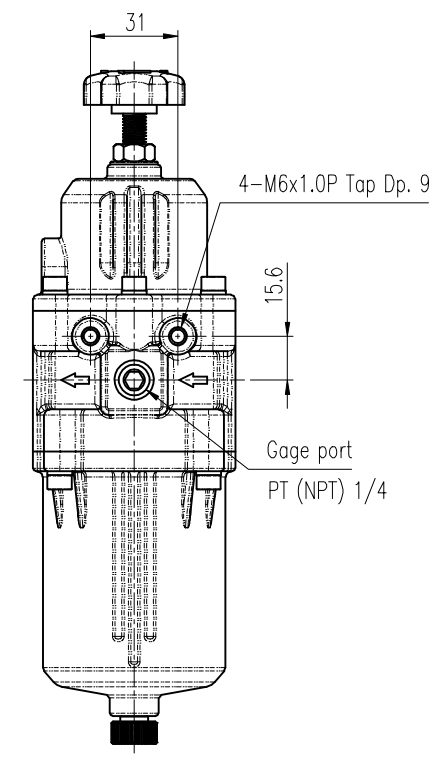
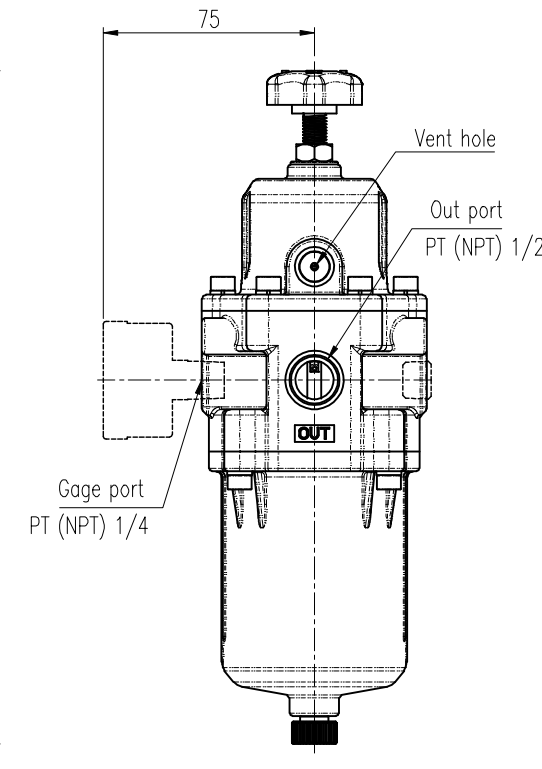
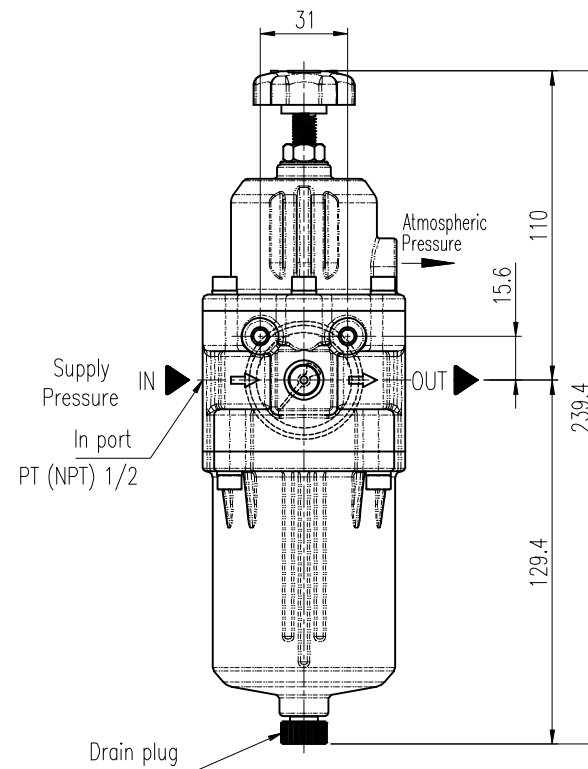
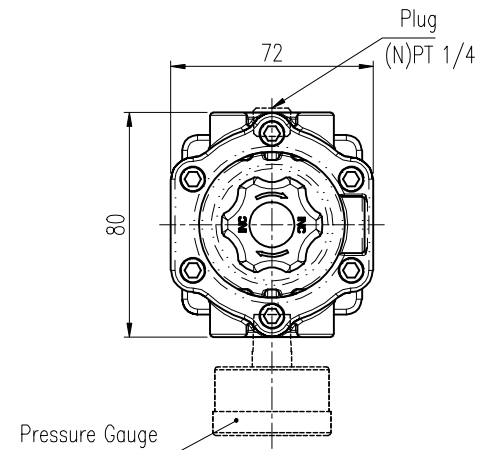
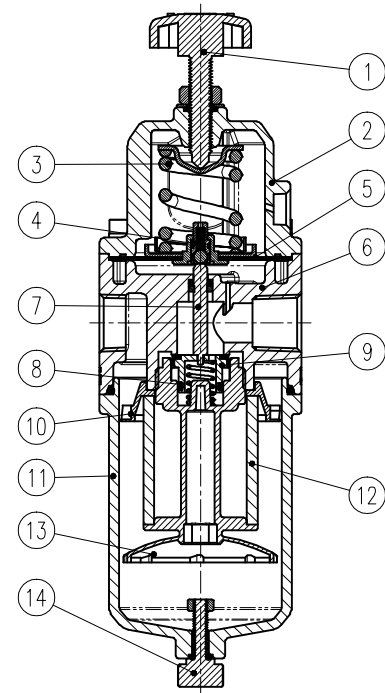
REV.NO.	REVISION DESCRIPTION	DRAWN / DATE	REVIEWED / DATE	APPROVED / DATE
△	ISSUE FOR APPROVAL	MDK/110324	JCS/110324	LYH/110324
△	DRAWING ARRANGEMENT	MDK/120531	JCS/120531	LYH/120531

**Specification**

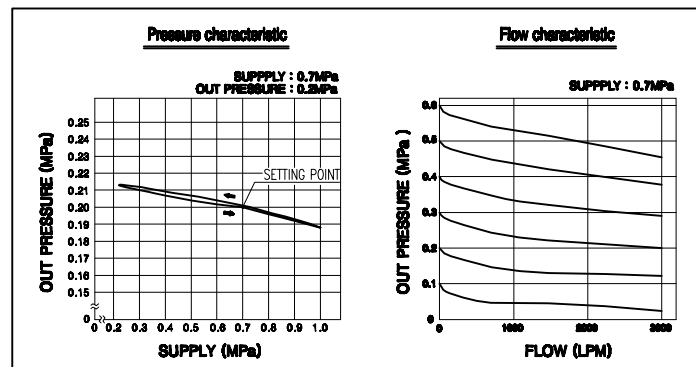
Applicable Fluid	Air	
Applicable Inlet Pressure	Max. 1.5 MPa	
Adjustment Output Pressure Range	<input type="checkbox"/> 0.05 ~ 0.42 MPa (4.2 bar)	
	<input type="checkbox"/> 0.05 ~ 0.84 MPa (8.4 bar)	
Applicable Temperature	Standard	<input type="checkbox"/> -20 ~ 70 °C (-4~158°F)
	High	<input type="checkbox"/> -20 ~ 120 °C (-4~248°F)
	Low	<input type="checkbox"/> -40 ~ 70 °C (-40~158°F)
Min. Filtering Size	5 micron	
Air Connection	<input type="checkbox"/> PT 1/2	<input type="checkbox"/> NPT 1/2
Gauge Connection	<input type="checkbox"/> PT 1/4	<input type="checkbox"/> NPT 1/4
Material	Aluminum Diecasting	
Weight	0.86kg (1.89lb)	

**Part List**

NO.	PART NAME	MATERIAL	REMARK
1	ADJUST BOLT	STS 304 + PC	
2	CASE SPRING	ALDC12	
3	SPRING ADJUST	HSW3	
4	SEAT RELIEF	ACETAL	
5	DIAPHRAGM ASS'Y	NBR , STS 304, ACETAL	일반용
6	BODY BASE	ALDC12	내한, 내열용
7	STEM	C3604BD	
8	O-RING	NBR	일반용
		SILICONE	내한, 내열용
9	SEAT	C3604BD + NBR	일반용
		C3604BD + SILICONE	내한, 내열용
10	DEFLECTOR	ACETAL	
11	CASE FILTER	ALDC12	
12	FILTER ELEMENT	POLY ETHYLENE	일반, 내한용
		BRONZE	내열용
13	BAFFLE	ACETAL	
14	PLUG DRAIN	STS 304 + PC	



**Characteristic**



PROJECT NAME -

SURFACE TEXTURE	PRODUCT NAME AIR FILTER REGULATOR		
FINISH TREATMENT	MODEL YT-220		
MATERIAL	PROJECTION 3rd	SCALE 1 / 2.5	TITLE AIR FILTER REGULATOR ASS'Y DWG
OTHERWISE NOTE	GENERAL TOLERANCE	QUANTITY 1	DRAWING NO. YT-220 (STANDARD)
		SHEET No. 1/1	REV. 1