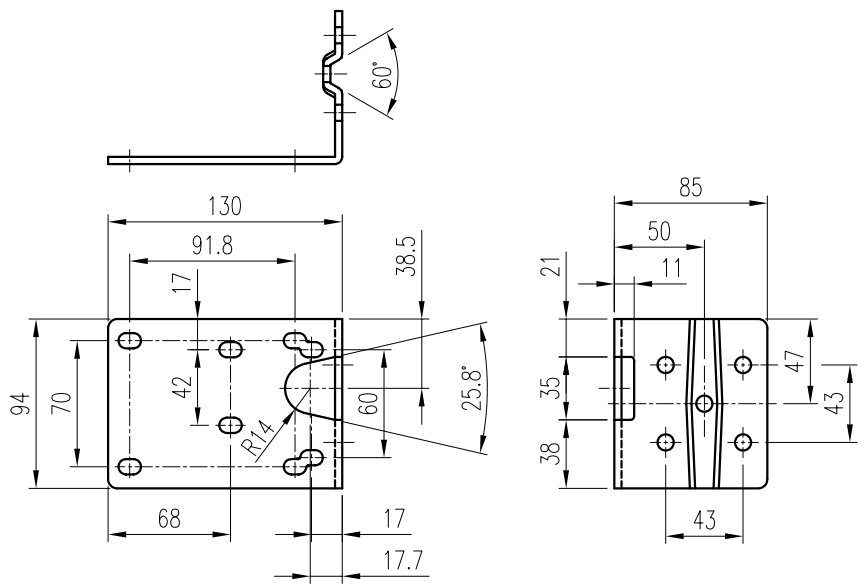
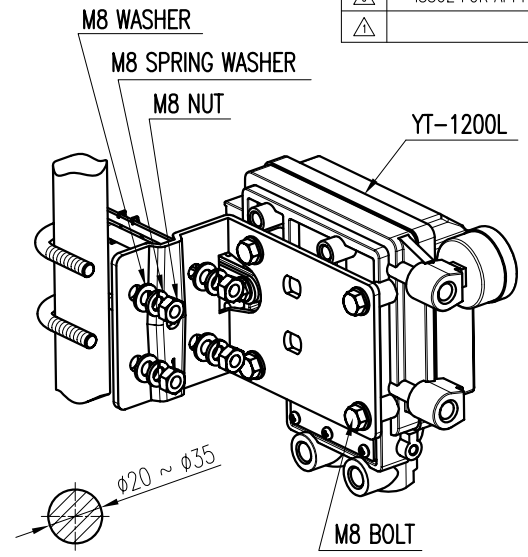
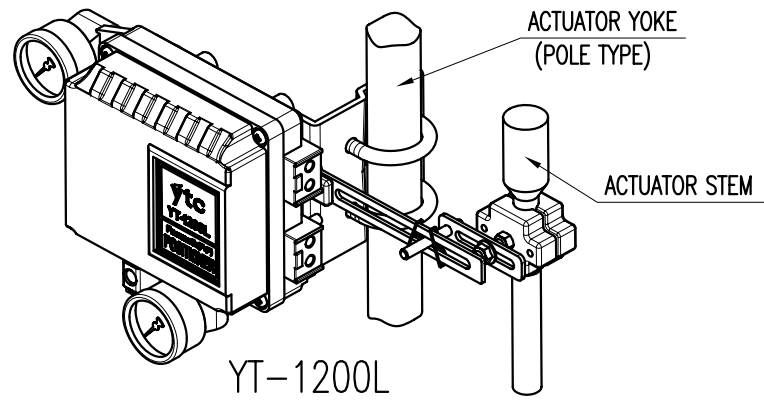
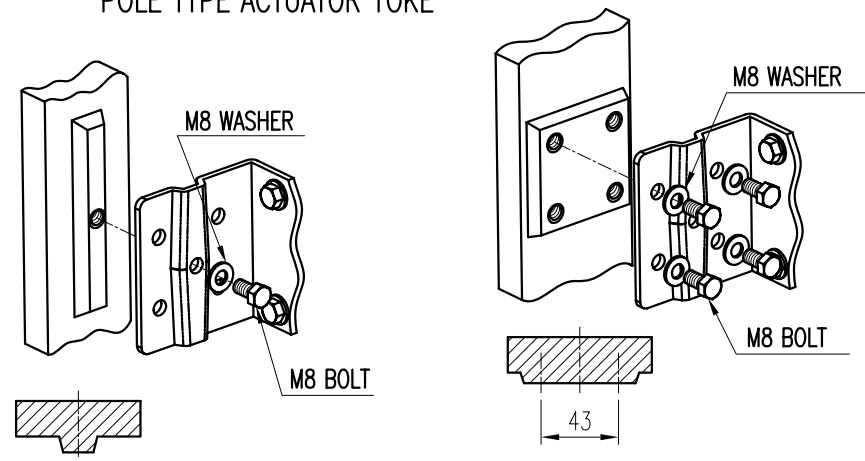


REV. NO.	REVISION DESCRIPTION	DRAWN / DATE	REVIEWED / DATE	APPROVED / DATE
△	ISSUE FOR APPROVAL	HSS/070721		
△				



POLE TYPE ACTUATOR YOKE



RIB TYPE ACTUATOR YOKE

PLANE TYPE ACTUATOR YOKE

LINEAR NAMUR BRACKET
(YT-1200L)

SURFACE TEXTURE		PRODUCT NAME P/P POSITIONER		PROJECT NAME -	
FINISH TREATMENT		MODEL YT-1200L		YOUNG TECH CO., LTD. SEOUL, KOREA	
MATERIAL		PROJECTION 3rd	SCALE 1/1.5	TITLE YT-1200L NAMUR BRACKET ASSY	
OTHERWISE NOTE	GENERAL TOLERANCE	QUANTITY 1	SHEET No. 1	DRAWING NO. YT-1200L NAMUR BRACKET	REV. 0