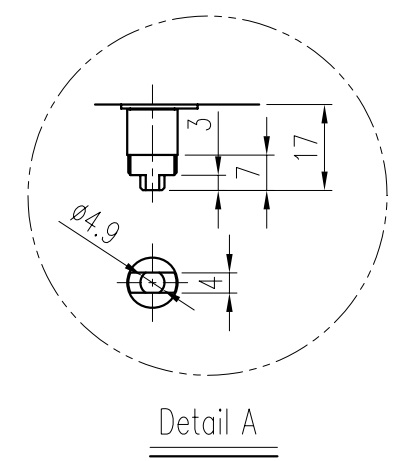
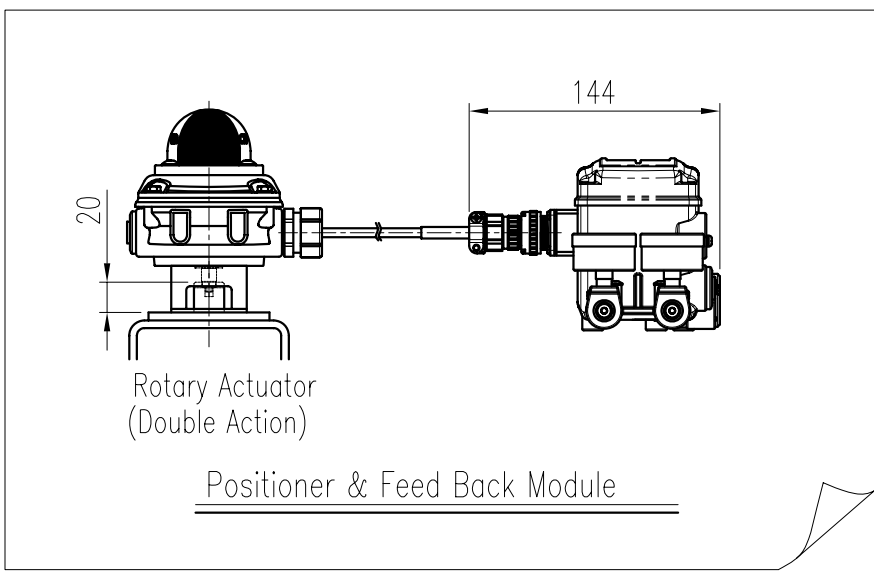
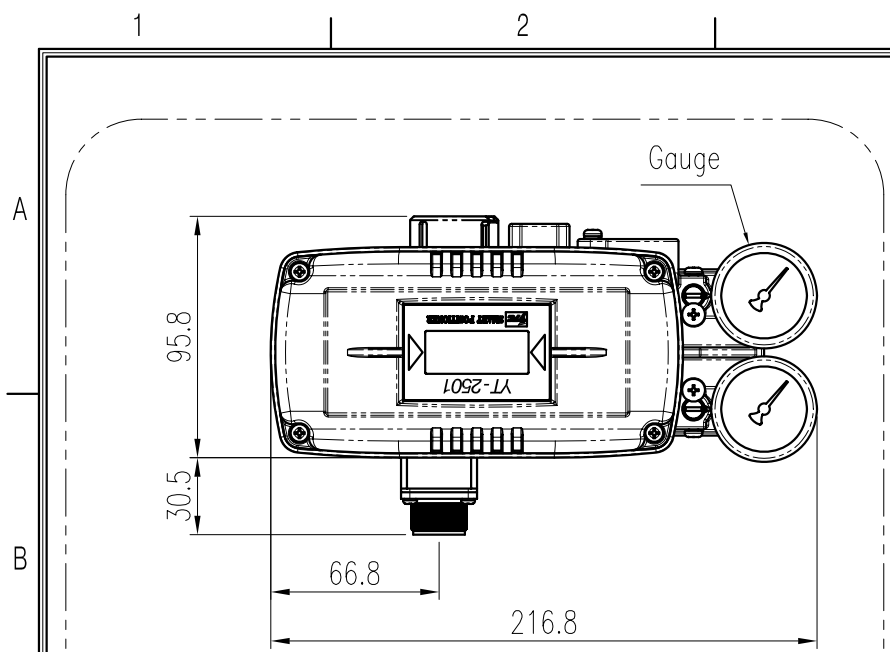
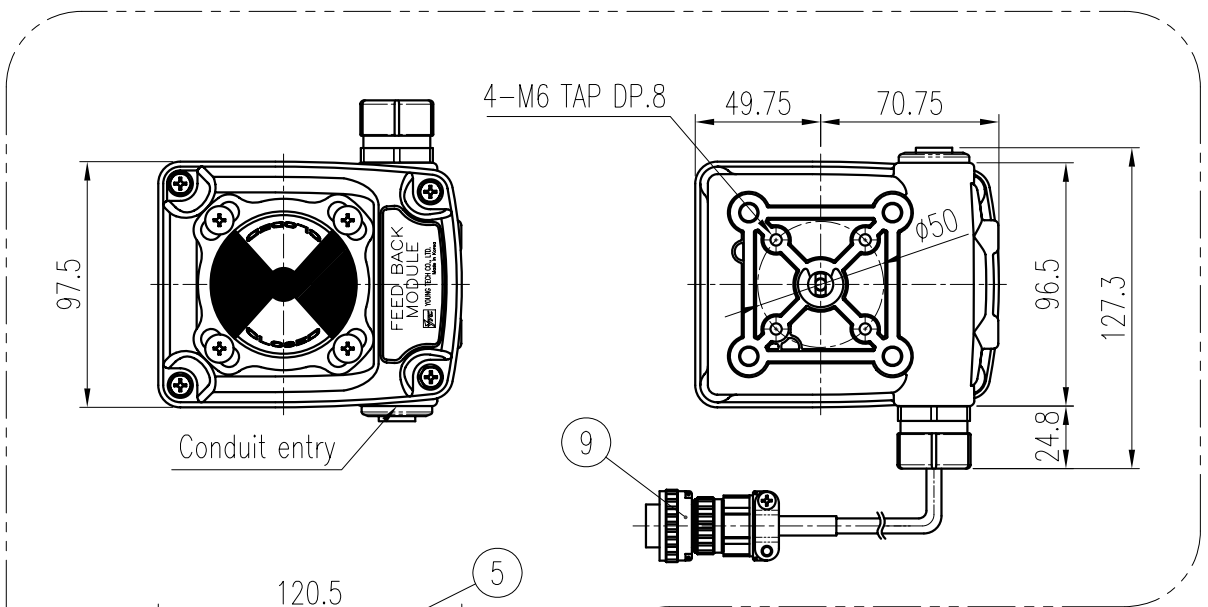
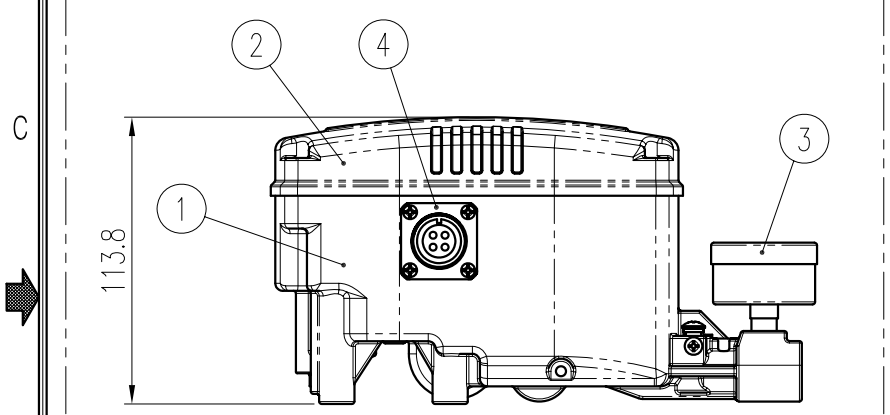


REV.NO.	REVISION DESCRIPTION	DRAWN / DATE	REVIEWED / DATE	APPROVED / DATE
△	Issue for Approval	KCH/110808	JCS/110808	LYH/110808
△				



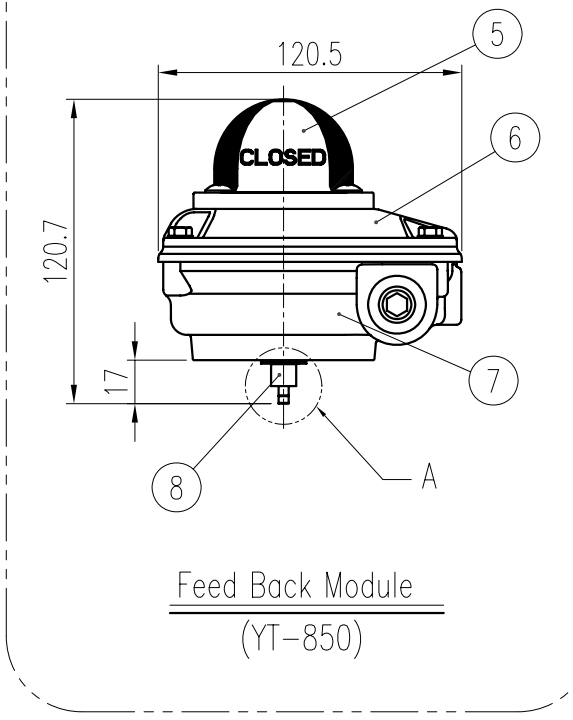
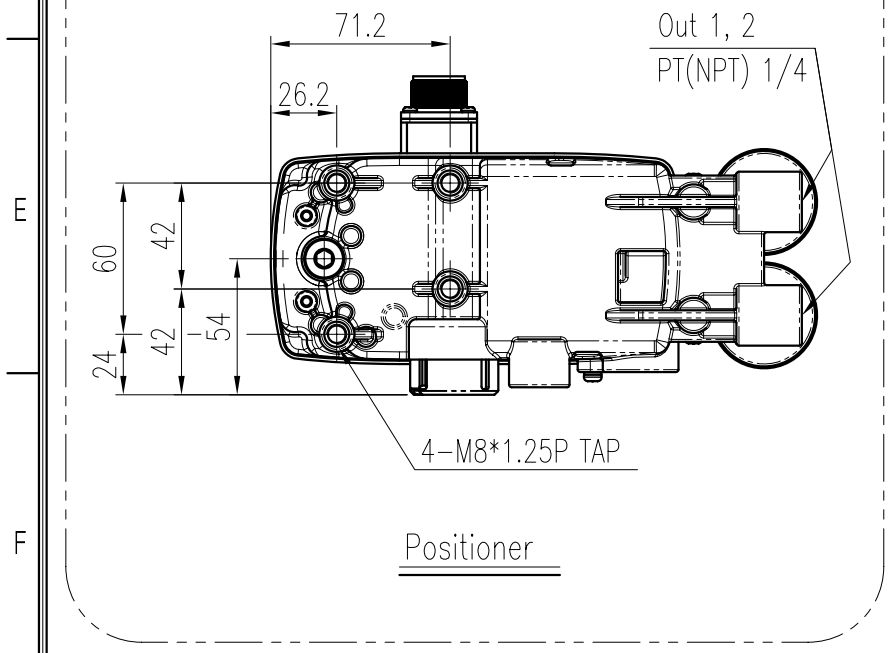
Specifications (Feedback Module)

Input Type	2 Wire
Output	4 ~ 20mA DC
Noise Range	50mVp.p
Protection	IP 67
Input Signal	0 ~ 90°
Weight	Aluminum Diecasting
Material	0.88 kg(1.94 lb)



Specifications (Positioner)

Acting Type	Double	
Input Signal	4 ~ 20mA DC	
Impedance	Max 460 Ohm/20mA DC	
Supply Pressure	0.14 ~ 0.7MPa (1.4 ~ 7bar)	
Stroke	0° ~ 90°	
Air Connection	Supply	PT(NPT) 1/4
	Out 1	
Gauge Connection	Out 1	PT(NPT) 1/8
	Out 2	
Conduit	PF1/2 (G1/2)	
Repeatability	±0.3% F.S.	
Hysteresis	±0.5% F.S.	
Sensitivity	±0.2% F.S.	
Linearity	±0.5% F.S.	
Air consumption	Below 0.01LPM (sup0.14MPa, 1.4bar)	
Flow Capacity	60LPM (sup0.14MPa, 1.4bar)	
Main Board	MPU	16 bit Micro Controller
	A/D Converter	12 bit
	D/A Converter	12 bit
LCD	Operation Temp.	-20 ~ 70°C (-4 ~ 158°F)
Output Characteristics	<input type="checkbox"/> Linear	<input type="checkbox"/> EQ%
	<input type="checkbox"/> User defined	<input type="checkbox"/> Quick Open
Material	Aluminum Diecasting	
Protection	IP66	
Weight	1.6kg (3.5 lb)	



No.	Part Name	Material	Q'ty	Remark
1	Base Body (Single Type)	ALDC12	1	Positioner
2	Base Cover	ALDC12	1	
3	Pressure Gauge	STS304	2	
4	Connector	AL, NBR	1	Feed Back Module
5	Indicator	PC	1	
6	Base Body	ALDC12	1	
7	Base Cover	ALDC12	1	
8	Main Shaft	STS303	1	
9	Connector	AL, NBR	1	

SURFACE TEXTURE	PRODUCT NAME	YOUNG TECH CO., LTD. SEOUL, KOREA
FINISH TREATMENT	SMART POSITIONER (REMOTE)	
MATERIAL	MODEL	TITLE
OTHERWISE NOTE	PROJECTION	REMOTE SMART ROTARY POSITIONER ASS'Y DWG
GENERAL TOLERANCE	SCALE	DRAWING NO. YT-2501R (DOUBLE)
	QUANTITY	STANDARD
	1	REV. 0
	1 / 1	