

# Limit Switch Box YT-850 SERIES

PRODUCT MANUAL

---



---

VERSION 1.00

## Contents

<b>1. Introduction</b> .....	<b>3</b>
1.1 General information for the users .....	3
1.2 Manufacturer Warranty .....	3
<b>2. Product Description</b> .....	<b>4</b>
2.1 General .....	4
2.2 Main Features and Functions .....	4
2.3 Label Description .....	4
2.4 Product Number .....	4
2.5 Product Specification .....	5
2.6 Parts and Assembly .....	5
2.7 Dimension – YT-850.....	6
2.8 Dimension –Bracket.....	6
<b>3. Installation</b> .....	<b>7</b>
3.1 Safety .....	7
3.2 YT-850 Installation .....	7
<b>4. Connection– Power</b> .....	<b>7</b>
4.1 Mechanical Type (2 SPDT) .....	7
4.2 Proximity Type (NPN Sensor) .....	8
<b>5. Adjustment</b> .....	<b>8</b>
5.1 Upper Switch Adjustment.....	8
5.2 Lower Switch Adjustment.....	8

## 1. Introduction

### 1.1 General Information for the users

Thank you for purchasing Young Tech Co., Ltd products. Each product has been fully inspected after its production to offer you the highest quality and reliable performance. Please read the product manual carefully prior to installing and commission the product.

- For the safety, it is important to follow the instructions in the manual. Young Tech Co., Ltd will not be responsible for any damages caused by user's negligence.
- The manual should be provided to the end-user.
- Any modifications or repairs to the product may only be performed if expressed in this manual.
- The manual can be altered or revised without any prior notice. Any changes in product's specification, design, and/or any components may not be printed immediately but until the following revision of the manual.
- The manual should not be duplicated or reproduced for any purpose without prior approval from Young Tech Co., Ltd, Gimpo-si, South Korea.

### 1.2 Manufacturer Warranty

- For the safety, it is important to follow the instructions in the manual. Manufacturer will not be responsible for any damages caused by user's negligence.
- Manufacturer will not be responsible for any damages or accidents as a result of any alteration or modification of the product and its parts. If any alteration or modifications are necessary, please contact Young Tech Co., Ltd directly.
- Manufacturer warrants the product from the date of original purchase of the product for eighteen (18) months, except as otherwise stated.
- Manufacturer warranty will not cover products that have been subjected to abuse, accidents, alterations, modifications, tampering, negligence, misuse, faulty installation, lack of reasonable care, repair or service in any way that is not contemplated in the documentation for the product, or if the model or serial number has been altered, tampered with, defaced or removed; damages that occurs in shipment, due to act of God, failure due to power surge, or cosmetic damage. Improper or incorrectly performed maintenance will void this limited warranty.
- For detailed warranty information, please contact Young Tech Co., Ltd – South Korea.

## 2. Product Description

### 2.1 General

Limit switch box, YT-850 series, monitors and transmits the valve position <open / close> at the specific point.

### 2.2 Main Features and Functions

- Can be used for general / non-explosion / weather-proof environment.
- Economical price and long product life time.

### 2.3 Label Description

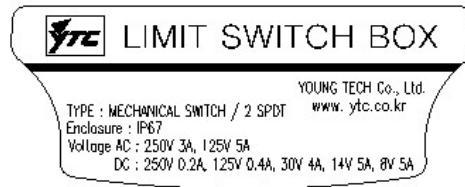


Fig. 1: YT-850 Body Label

- |                |                                  |
|----------------|----------------------------------|
| A. Type:       | Indicates the type of the switch |
| B. Enclosure.: | Indicates protection grade       |
| C. Voltage:    | Indicates allowable voltage      |

### 2.4 Product Number

YT-850

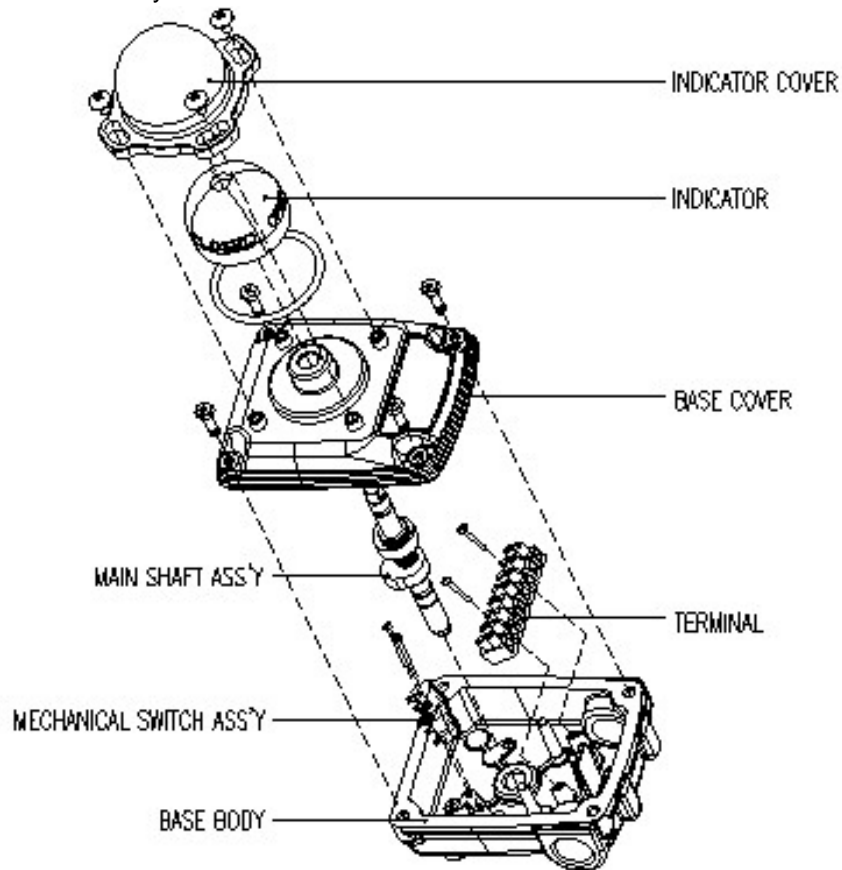


1	Switch Type	M	Mechanical
		P	Proximity
2	Connection Type	1	NPT 1/2
		3	PF 1/2
		4	M20
3	Bracket Type	1	ST-1 (30 x 80 x H20)
		2	ST-2 (30 x 80 x H30)
		3	ST-3 (30 x 130 x H30)
		4	ST-4 (30 x 130 x H50)

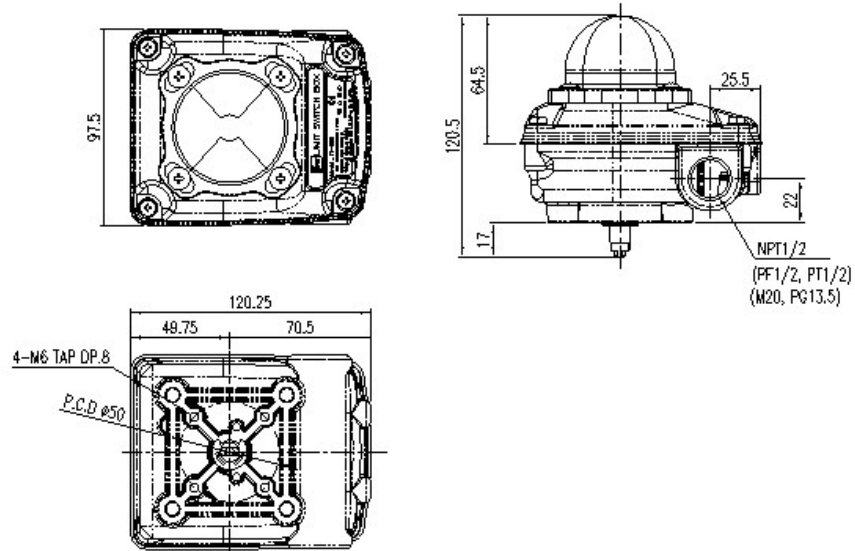
2.5 Product Specification

Model	YT-850M	YT-850P
Switching Type	Mechanical Switch x 2	Proximity Sensor x 2
Switch Rating	AC : 250V 3A 125V 5A DC : 250V 0.2A 125V 0.4A 30V 4A	DC : 12 ~ 24V (Operating voltage : DC 10~30V)
Enclosure Protection	Weather proof, IP67	
Ambient Temperature	-20 ~ 80°C	
Conduit Entry	NPT 1/2, PF 1/2, M20	
Terminal	8 points	
Mounting Bracket	NAMUR VDI / VDE 3845, ISO5211	
Material	Aluminum Diecasting	
Weight	880g (1.94 lb)	

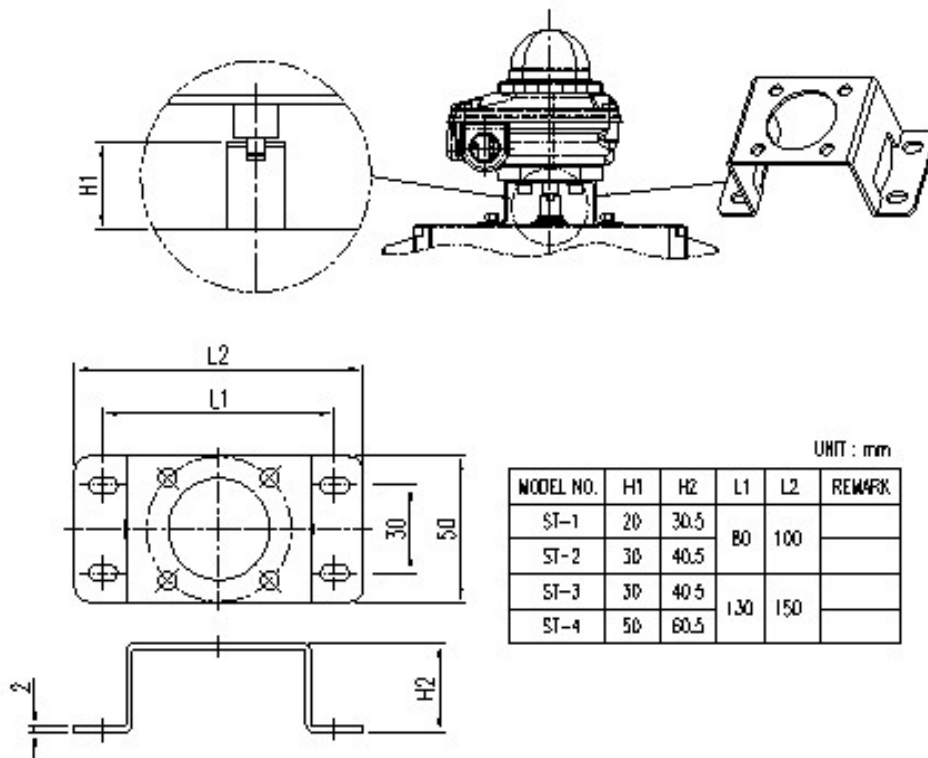
2.6 Parts and Assembly



2.7 Dimension – YT-850



2.8 Dimension - Bracket



### 3. Installation

#### 3.1 Safety

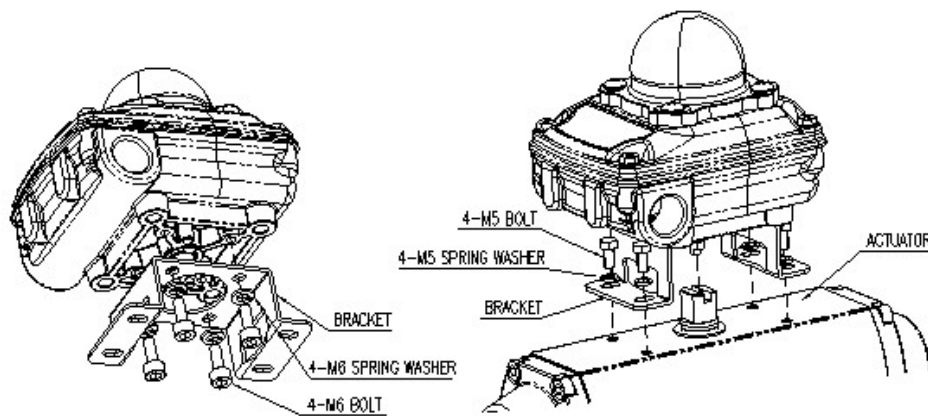
When installing a unit, please ensure to read and follow safety instructions.



- Check unit's specification and ensure to use as specified.
- Use bypass valve or other supportive equipment to avoid entire system "shut down".
- YT-850 series is not designed for explosion area.
- Make sure all input and supply pressure to valve, actuator, and other related devices must be turned off.

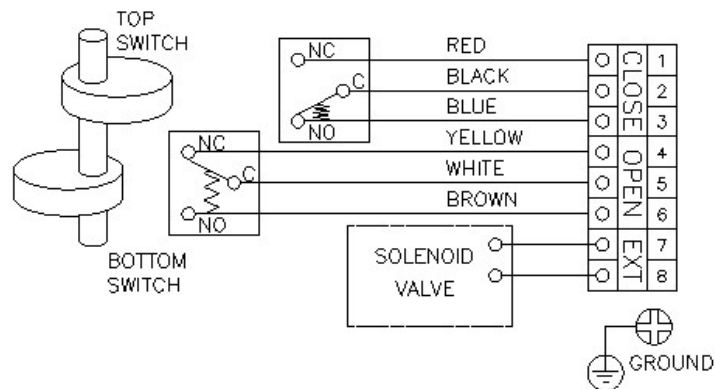
#### 3.2 YT-850 Installation

1. Assemble limit switch box body with the bracket provided.
2. Align the main shaft of the limit switch box with the stem of the actuator. After the alignment, tighten the bracket onto the actuator.

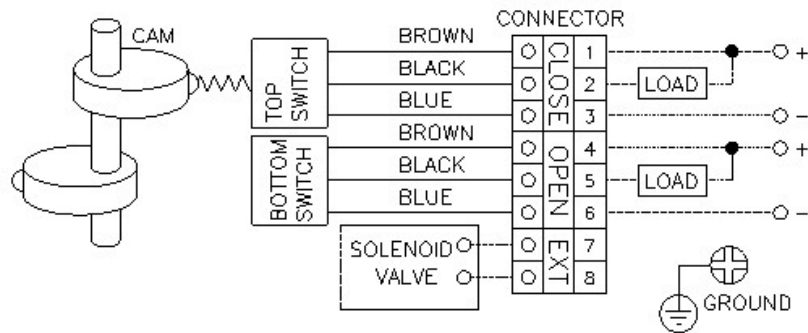


### 4. Connection – Power

#### 4.1 Mechanical Type (2 SPDT)



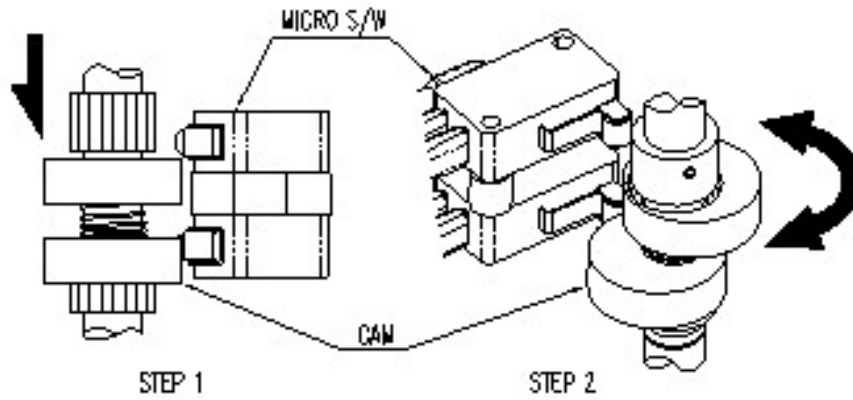
4.2 Proximity Type (NPN Sensor – PNP is also available, please contact YTC)



## 5. Adjustment

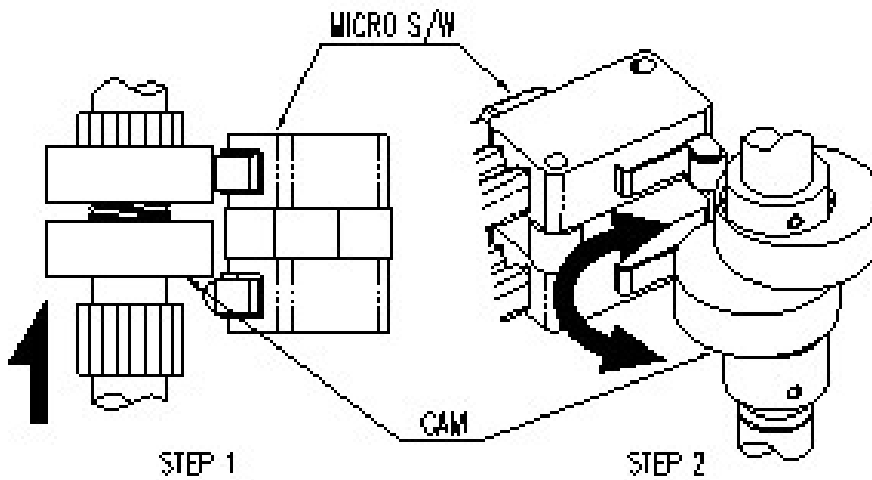
### 5.1 Upper Switch Adjustment

Push down upper switch and turn right or left to required position



### 5.2 Lower Switch Adjustment

Pull up lower switch and turn right or left to required position.





---

**Manufacturer:****Young Tech Co., Ltd**

#3022, Hagun-ri, Yangchon-myeon

Kimpo-si, Kyeonggi-do, 415-843

South Korea

Tel: +82-31-986-8545

Fax: +82-31-986-2683

Email: [ytic@ytic.co.kr](mailto:ytic@ytic.co.kr)

Copyright © Young Tech Co., Ltd. All Rights Reserved.