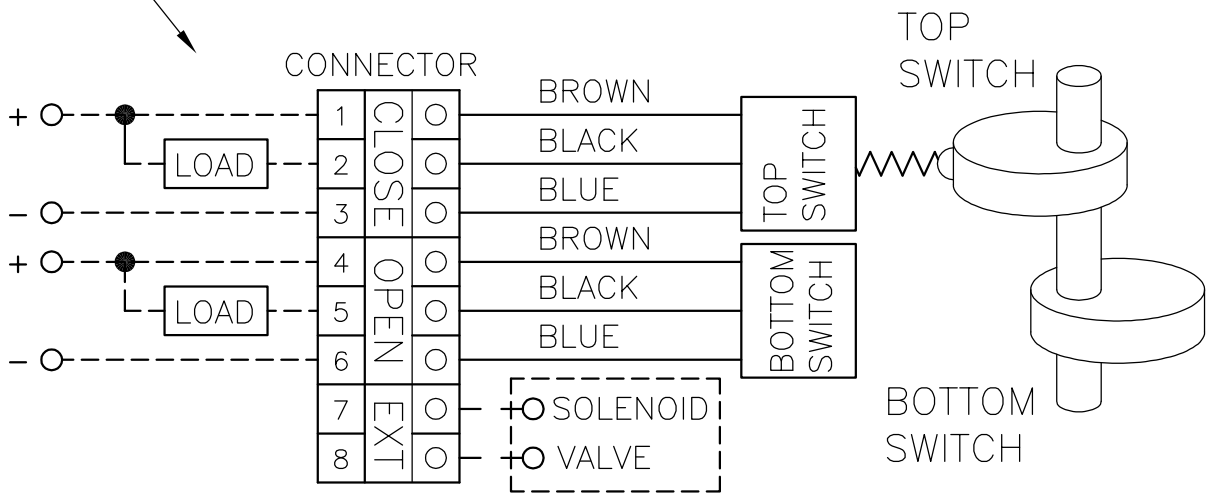
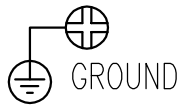
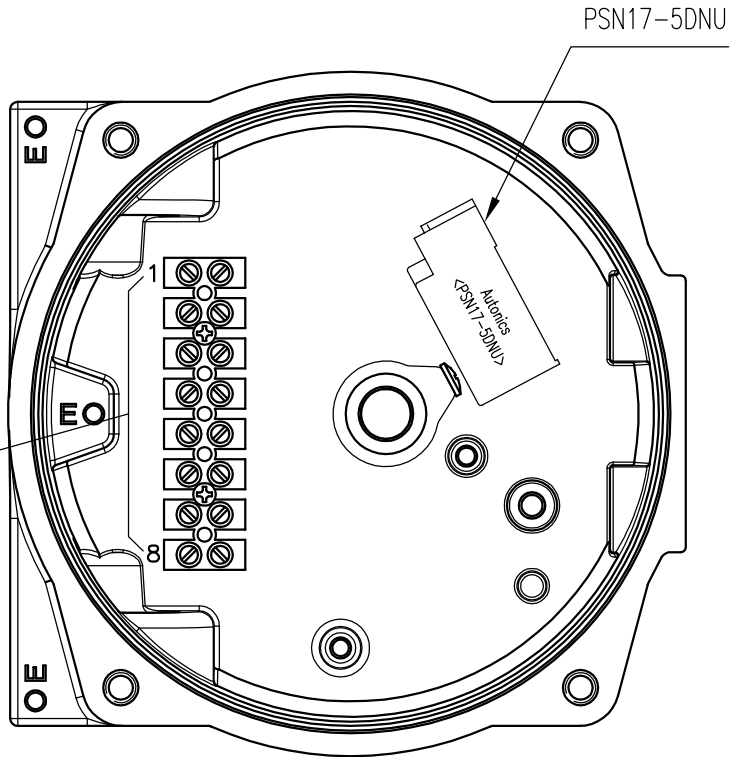


REV.NO.	REVISION DESCRIPTION	DRAWN / DATE	REVIEWED / DATE	APPROVED / DATE
△	FIRST ISSUED	KBJ/20130204		JCS/20130204
△	DRAWING ARRANGEMENT	KSH/20170117	JJS/20170117	KTJ/20170117

*** P-Sensor Switch Rating**

DC 12~24V, 11~200mA



PROJECT NAME P-SENSOR(NPN)

SURFACE TEXTURE		PRODUCT NAME LIMIT SWITCH BOX		YOUNG TECH CO., LTD. GIMPO-SI, KOREA	
FINISH TREATMENT		MODEL YT-870, 875		TITLE YT-870, 875	
MATERIAL		PROJECTION	SCALE	DRAWING NO. 870-03	
OTHERWISE NOTE		GENERAL TOLERANCE	QUANTITY	REV. 1	
			SHEET No.		

2016.07.12