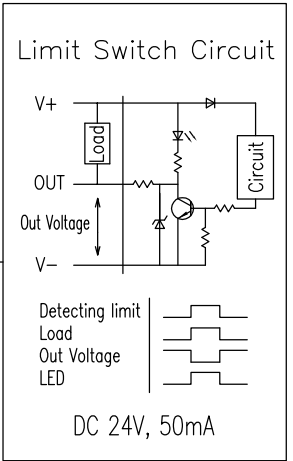
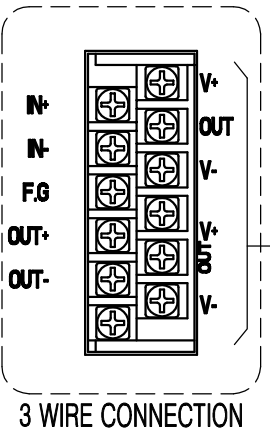
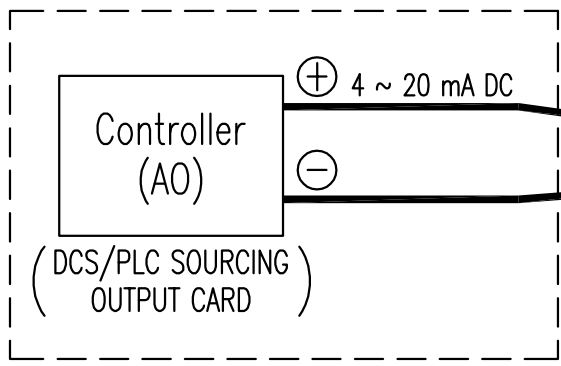
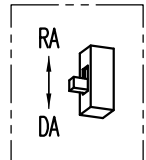
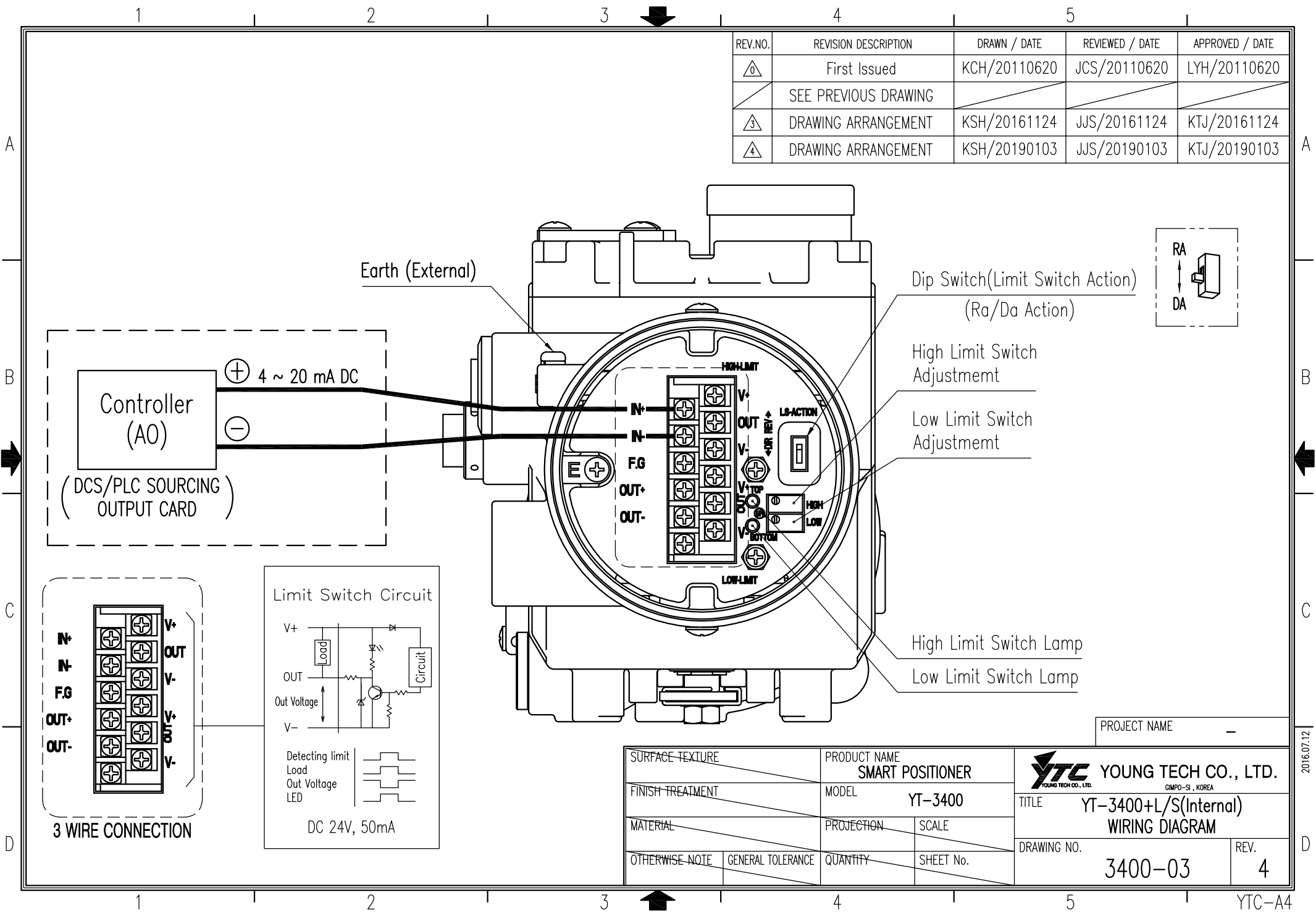


REV.NO.	REVISION DESCRIPTION	DRAWN / DATE	REVIEWED / DATE	APPROVED / DATE
△0	First Issued	KCH/20110620	JCS/20110620	LYH/20110620
	SEE PREVIOUS DRAWING			
△3	DRAWING ARRANGEMENT	KSH/20161124	JJS/20161124	KTJ/20161124
△4	DRAWING ARRANGEMENT	KSH/20190103	JJS/20190103	KTJ/20190103



PROJECT NAME _____

SURFACE TEXTURE		PRODUCT NAME SMART POSITIONER			
FINISH TREATMENT		MODEL YT-3400			
MATERIAL		PROJECTION	SCALE	TITLE YT-3400+L/S(Internal) WIRING DIAGRAM	
OTHERWISE NOTE		GENERAL TOLERANCE	QUANTITY	DRAWING NO. 3400-03	REV. 4