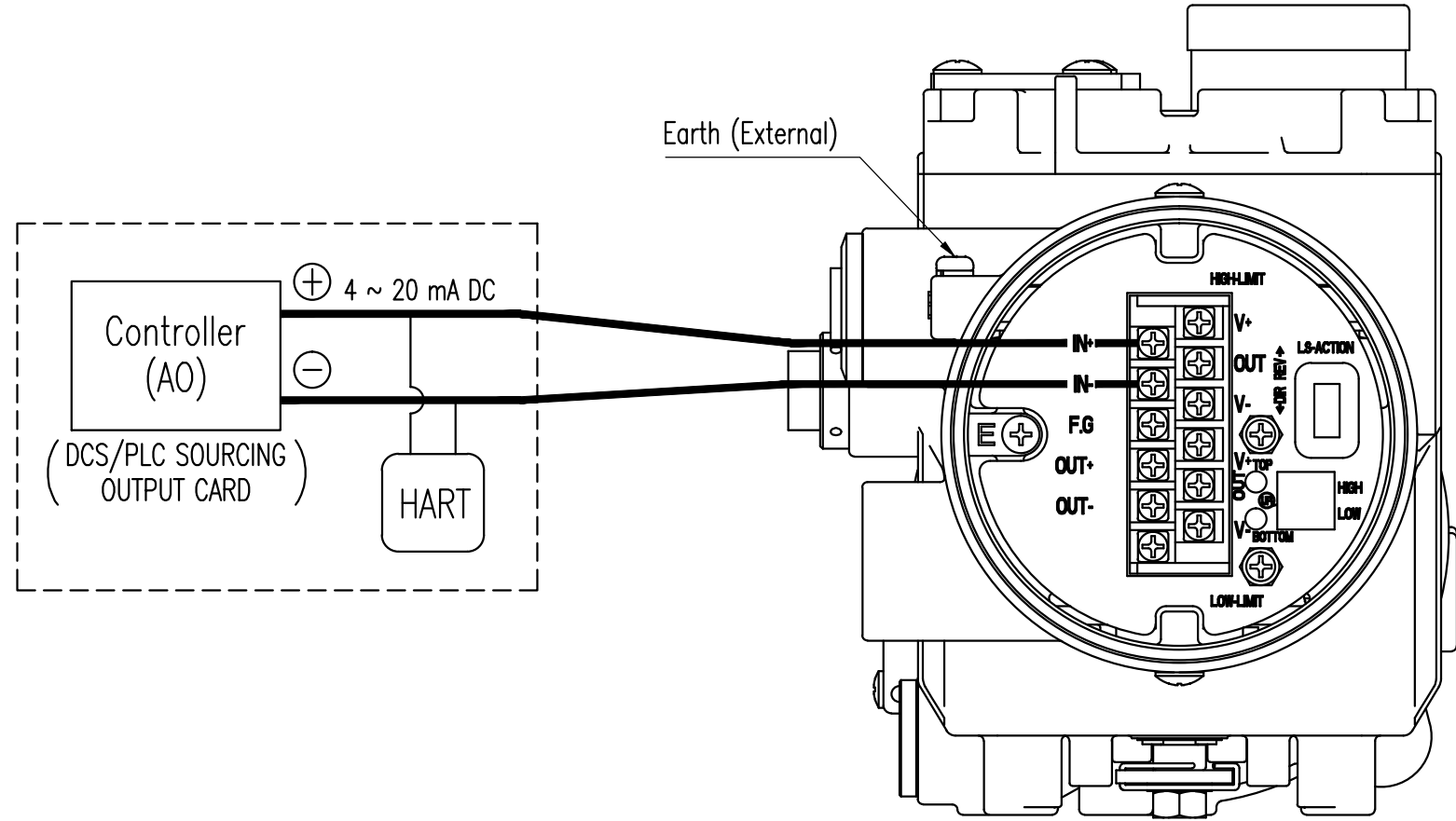


REV.NO.	REVISION DESCRIPTION	DRAWN / DATE	REVIEWED / DATE	APPROVED / DATE
△0	First Issued	KCH/20110915	JCS/20110915	LYH/20110915
△1	DRAWING ARRANGEMENT	KSH/20160819	JJS/20160819	KTJ/20160819
△2	DRAWING ARRANGEMENT	KSH/20161124	JJS/20161124	KTJ/20161124



PROJECT NAME _____

SURFACE TEXTURE		PRODUCT NAME SMART POSITIONER		YOUNG TECH CO., LTD. <small>GIMPO-SI, KOREA</small>	
FINISH TREATMENT		MODEL YT-3400			
MATERIAL		PROJECTION	SCALE	TITLE YT-3400+HART WIRING DIAGRAM	
OTHERWISE NOTE	GENERAL TOLERANCE	QUANTITY	SHEET No.	DRAWING NO. 3400-05	REV. 2

2016.07.12