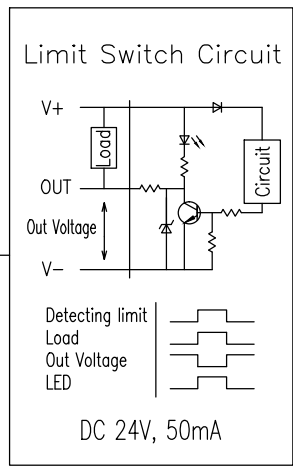
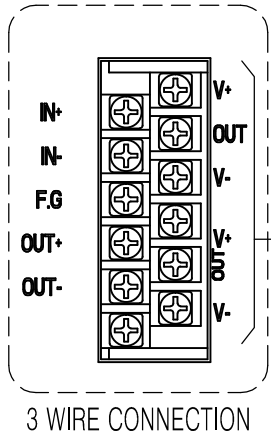
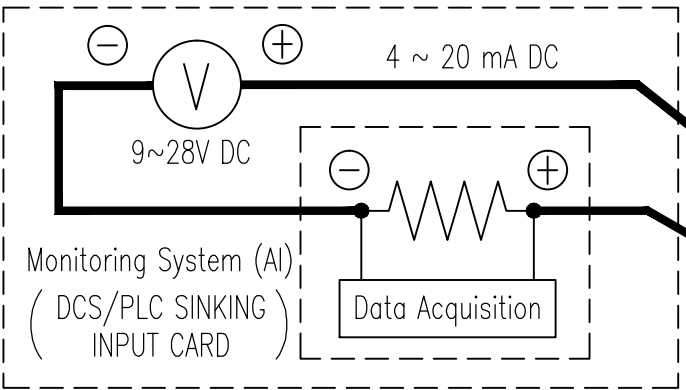
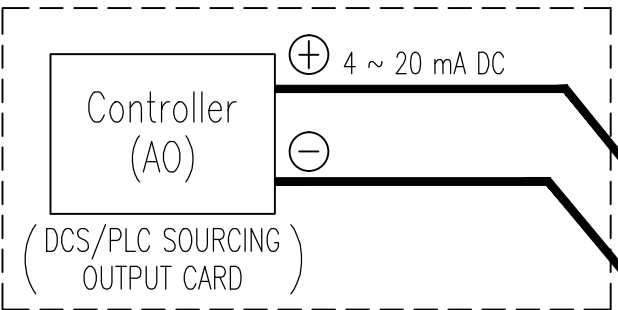
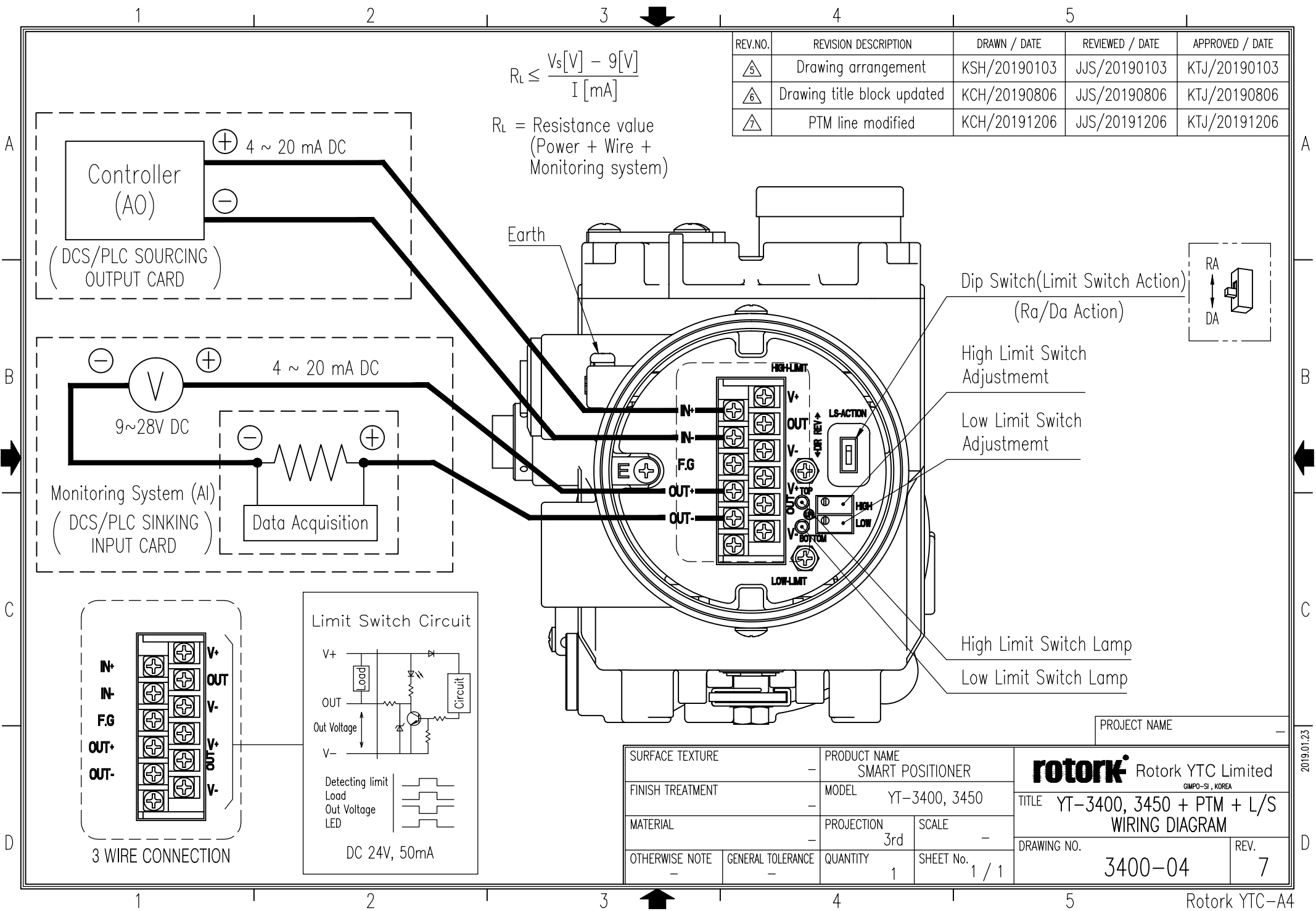


| REV.NO. | REVISION DESCRIPTION | DRAWN / DATE | REVIEWED / DATE | APPROVED / DATE |
|---------|-----------------------------|--------------|-----------------|-----------------|
| △5 | Drawing arrangement | KSH/20190103 | JJS/20190103 | KTJ/20190103 |
| △6 | Drawing title block updated | KCH/20190806 | JJS/20190806 | KTJ/20190806 |
| △7 | PTM line modified | KCH/20191206 | JJS/20191206 | KTJ/20191206 |

$$R_L \leq \frac{V_s[V] - 9[V]}{I [mA]}$$

R_L = Resistance value
(Power + Wire + Monitoring system)



PROJECT NAME _____

| | | | | | |
|------------------|-------------------|----------------------------------|--------------------|---|--|
| SURFACE TEXTURE | | PRODUCT NAME SMART POSITIONER | | Rotork YTC Limited <small>GMPO-SI, KOREA</small> | |
| FINISH TREATMENT | | MODEL YT-3400, 3450 | | | |
| MATERIAL | | PROJECTION 3rd | SCALE - | DRAWING NO. 3400-04 | |
| OTHERWISE NOTE | GENERAL TOLERANCE | QUANTITY 1 | SHEET No. 1 / 1 | REV. 7 | |