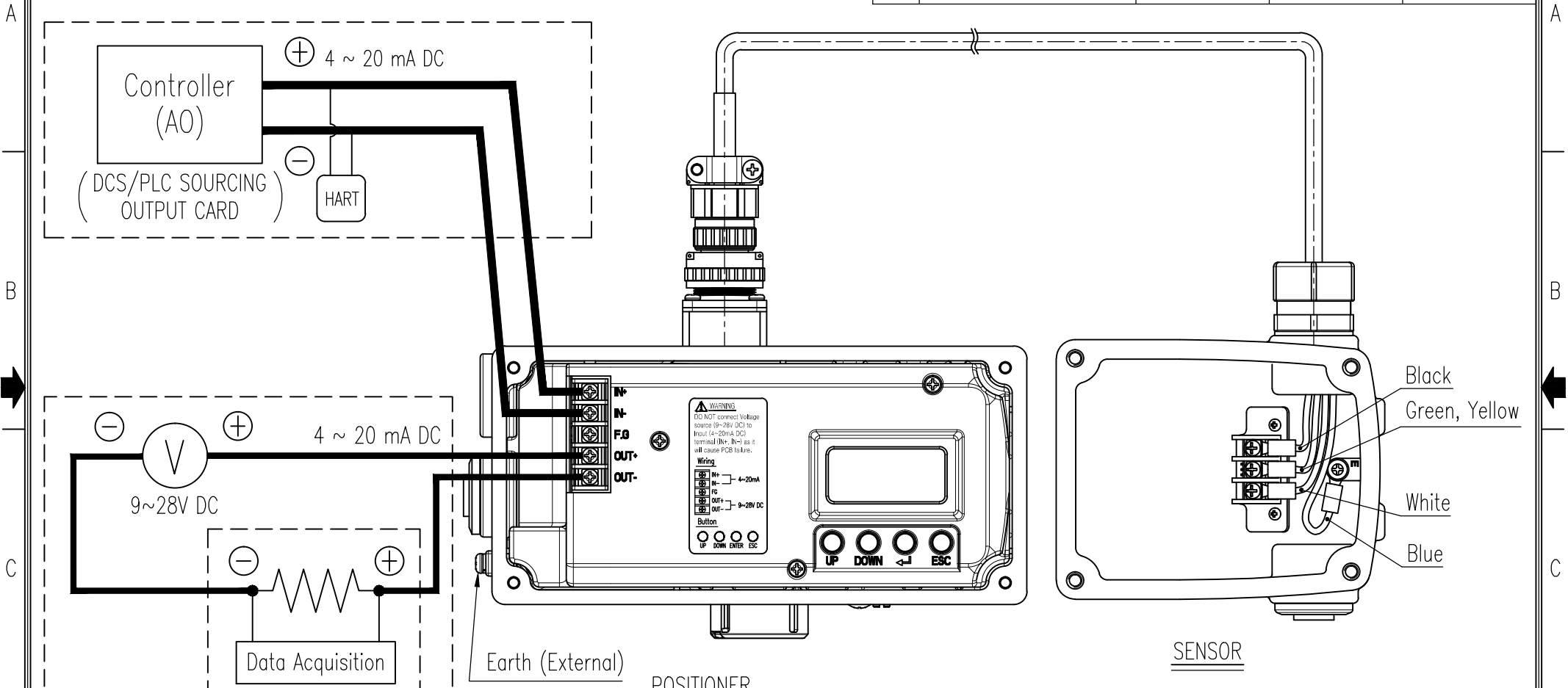


REV.NO.	REVISION DESCRIPTION	DRAWN / DATE	REVIEWED / DATE	APPROVED / DATE
△1	Drawing title block updated	KCH/20190805	JJS/20190805	KTJ/20190805
△2	Remote terminal changed	KCH/20190905	JJS/20190905	KTJ/20190905
△3	PTM line modified	KCH/20191206	JJS/20191206	KTJ/20191206



WARNING
 DO NOT connect Voltage source (9~28V DC) to Inout (4~20mA DC) terminal. Over-Input as it will cause PCB failure.

Wiring
 IN+ In- 4~20mA
 F.O In- 9~28V DC
 OUT+ OUT-

Button
 UP DOWN ENTER ESC

$R_L = \text{Resistance value(Power + Wire + Monitoring system)}$

$$R_L \leq \frac{V_s[V] - 9[V]}{I [mA]}$$

PROJECT NAME _____

SURFACE TEXTURE		PRODUCT NAME SMART POSITIONER		Rotork YTC Limited <small>GMPO-SI, KOREA</small>	
FINISH TREATMENT		MODEL YT-3301R			
MATERIAL		PROJECTION 3rd	SCALE -	TITLE YT-3301R + HART + PTM WIRING DIAGRAM	
OTHERWISE NOTE	GENERAL TOLERANCE	QUANTITY 1	SHEET No. 1 / 1	DRAWING NO. 3301R-04	REV. 3