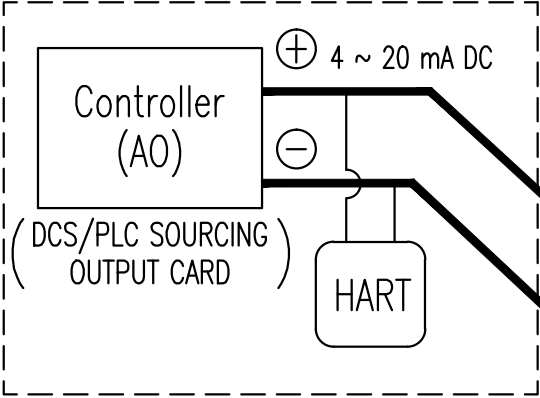


REV.NO.	REVISION DESCRIPTION	DRAWN / DATE	REVIEWED / DATE	APPROVED / DATE
△0	First Issued	JCS/20110513		LYH/20110513
△1	DRAWING ARRANGEMENT	KSH/20160819	JJS/20160819	KTJ/20160819
△2	DRAWING ARRANGEMENT	KSH/20161124	JJS/20161124	KTJ/20161124



Quick-Auto set
 1. Input 12mA
 2. Keep pressing up-button for about 3 seconds

Wiring

Button

PROJECT NAME -

SURFACE TEXTURE		PRODUCT NAME SMART POSITIONER		YOUNG TECH CO., LTD. <small>GIMPO-SI, KOREA</small>	
FINISH TREATMENT		MODEL YT-3300			
MATERIAL		PROJECTION	SCALE	TITLE YT-3300 HART WIRING DIAGRAM	
OTHERWISE NOTE	GENERAL TOLERANCE	QUANTITY	SHEET No.	DRAWING NO. 3300-05	REV. 2