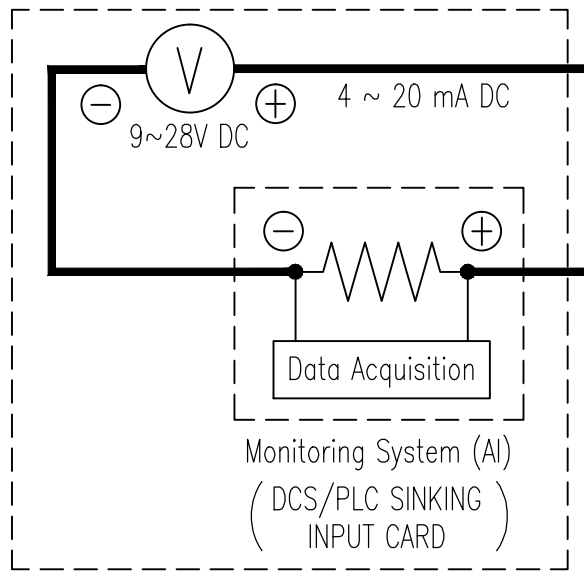
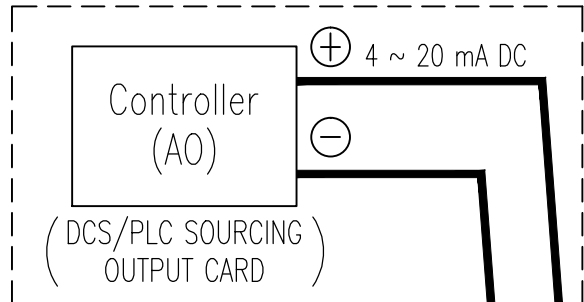
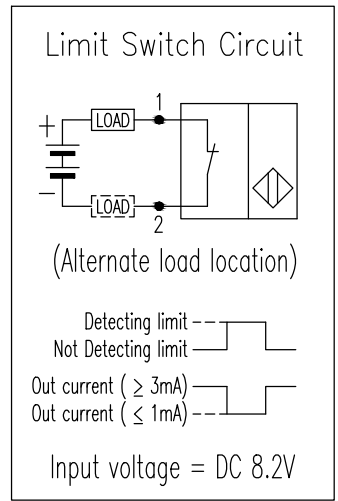
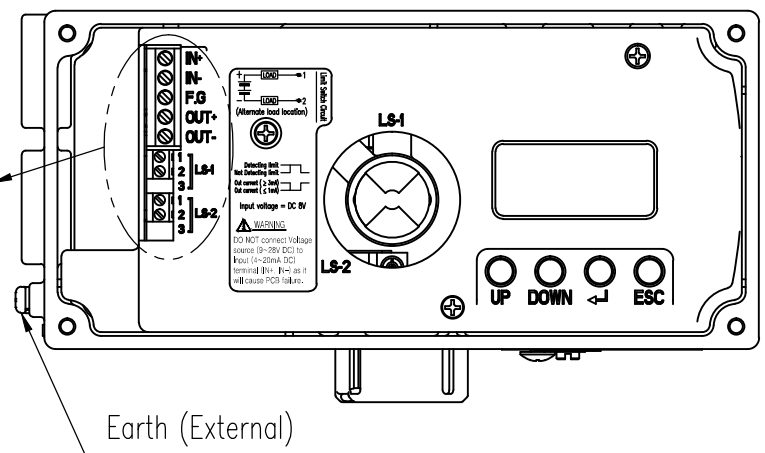
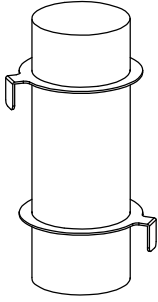
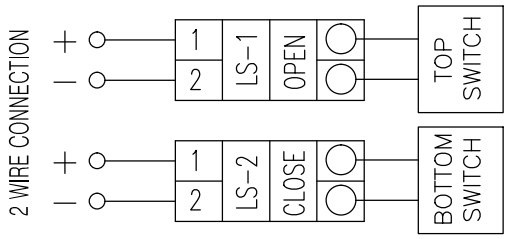


REV.NO.	REVISION DESCRIPTION	DRAWN / DATE	REVIEWED / DATE	APPROVED / DATE
3	Drawing title block updated	KSH/20190103	JJS/20190103	KTJ/20190103
4	Drawing title block updated	KCH/20190801	JJS/20190801	KTJ/20190801
5	PTM line modified	KCH/20191206	JJS/20191206	KTJ/20191206



$R_L = \text{Resistance value(Power + Wire + Monitoring system)}$

$$R_L \leq \frac{V_s[V] - 9[V]}{I [\text{mA}]}$$



\* P&F Proximity Sensor Spec.

Supply Voltage	DC 8.2V
Output Current	Not Detected : $\geq 3\text{mA}$ , Detected : $\leq 1\text{mA}$
Type	Namur, NC

PROJECT NAME \_\_\_\_\_

SURFACE TEXTURE		PRODUCT NAME		Rotork YTC Limited <small>GMPO-SI, KOREA</small>	
-		SMART POSITIONER			
FINISH TREATMENT		MODEL		TITLE	
-		YT-3300, 3350		YT-3300/3350 + PTM + L/S(2xProximity) WIRING DIAGRAM	
MATERIAL		PROJECTION	SCALE	DRAWING NO.	
-		3rd	-	3300-07	
OTHERWISE NOTE		GENERAL TOLERANCE	QUANTITY	SHEET No.	REV.
-		-	1	1 / 1	5