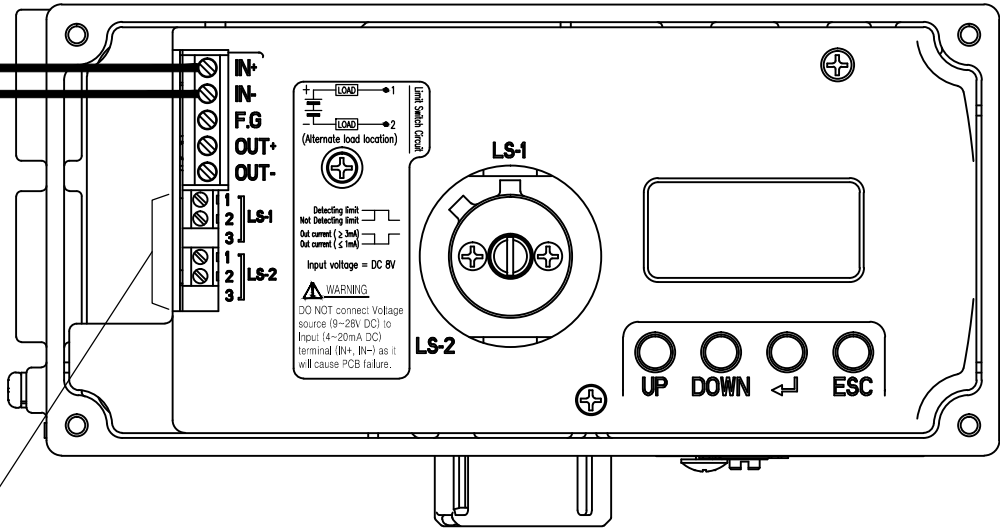
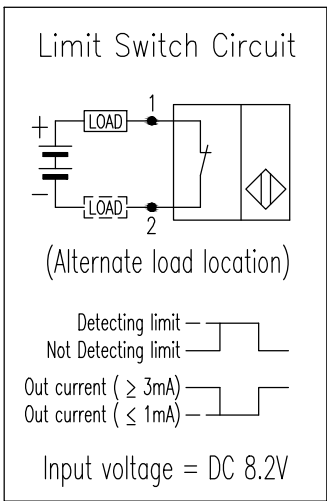
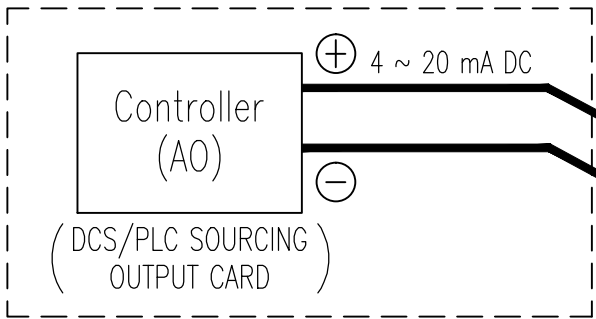


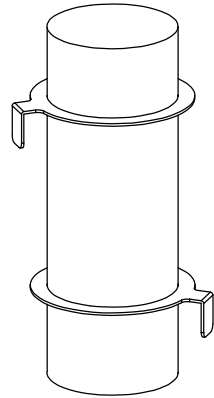
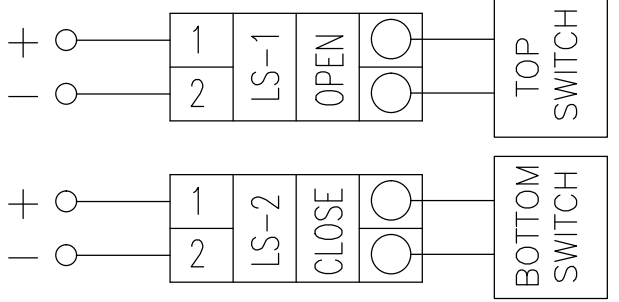
REV.NO.	REVISION DESCRIPTION	DRAWN / DATE	REVIEWED / DATE	APPROVED / DATE
△0	First Issued	KSH/20170221	JJS/20170221	KTJ/20170221
△1	Drawing arrangement	KSH/20190103	JJS/20190103	KTJ/20190103
△2	Drawing title block updated	KCH/20190801	JJS/20190801	KTJ/20190801



* P&F Proximity Sensor Spec.

Supply Voltage	DC 8.2V
Output Current	Not Detected : ≥ 3mA, Detected : ≤ 1mA
Type	Namur, NC

2 WIRE CONNECTION



SURFACE TEXTURE		PRODUCT NAME		PROJECT NAME	
-		SMART POSITIONER		-	
FINISH TREATMENT		MODEL		TITLE	
-		YT-3300, 3350		YT-3300/3350 + L/S(2xProximity)	
MATERIAL		PROJECTION	SCALE	WIRING DIAGRAM	
-		3rd	-	DRAWING NO.	
OTHERWISE NOTE	GENERAL TOLERANCE	QUANTITY	SHEET No.	REV.	
-	-	1	1 / 1	3300-09 2	