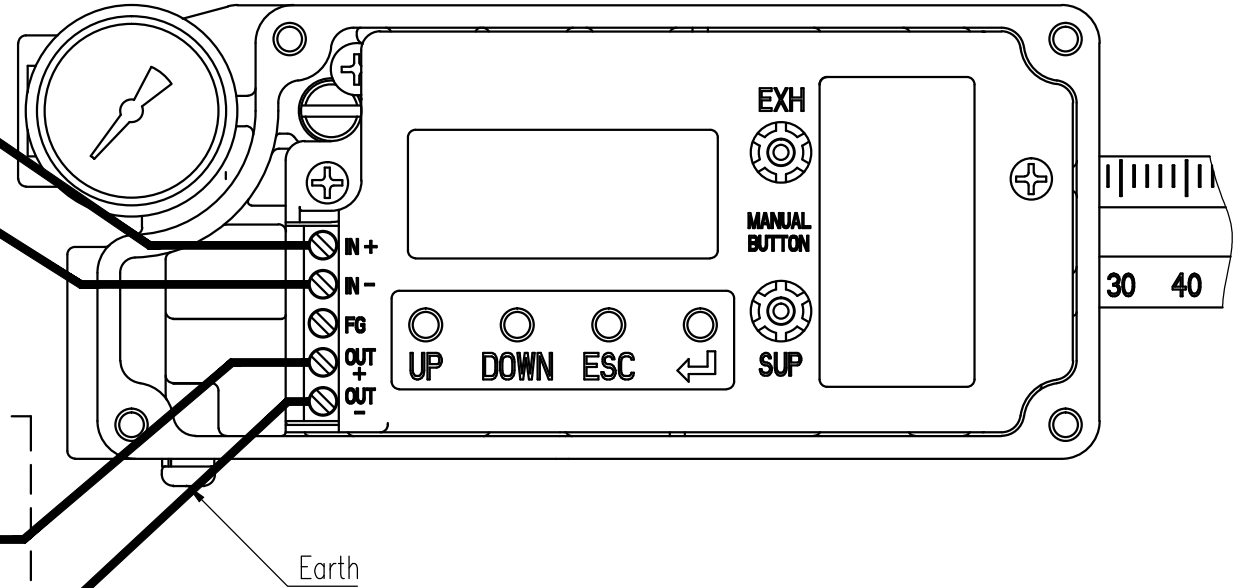
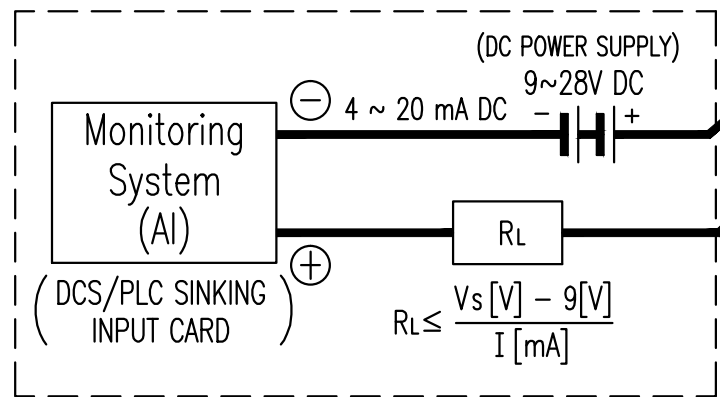
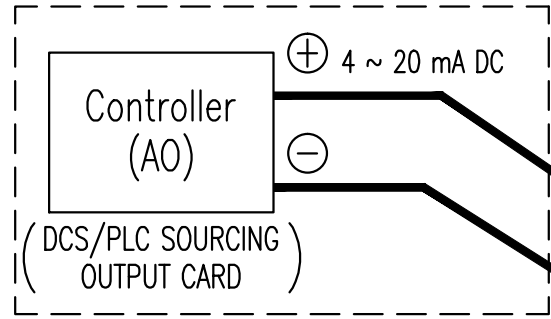


REV.NO.	REVISION DESCRIPTION	DRAWN / DATE	REVIEWED / DATE	APPROVED / DATE
△0	First Issued	MKD/20130202	JCS/20130202	LYH/20130202
△1	DRAWING ARRANGEMENT	KSH/20160819	JJS/20160819	KTJ/20160819
△2	DRAWING ARRANGEMENT	KSH/20161124	JJS/20161124	KTJ/20161124



PROJECT NAME -

SURFACE TEXTURE		PRODUCT NAME <b>SMART POSITIONER</b>		YOUNG TECH CO., LTD. GIMPO-SI, KOREA	
FINISH TREATMENT		MODEL <b>YT-2700ED</b>			
MATERIAL		PROJECTION	SCALE	TITLE <b>YT-2700 PTM WIRING DIAGRAM</b>	
OTHERWISE NOTE	GENERAL TOLERANCE	QUANTITY	SHEET No.	DRAWING NO. <b>2700-02</b>	REV. <b>2</b>

2016.07.12