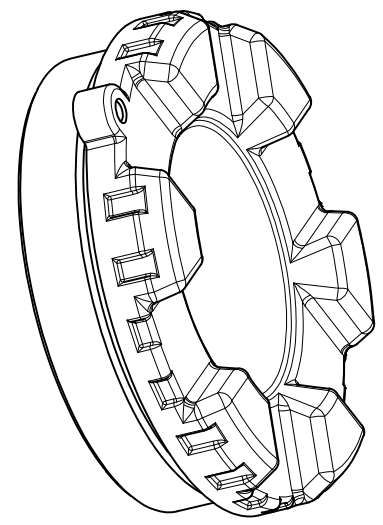
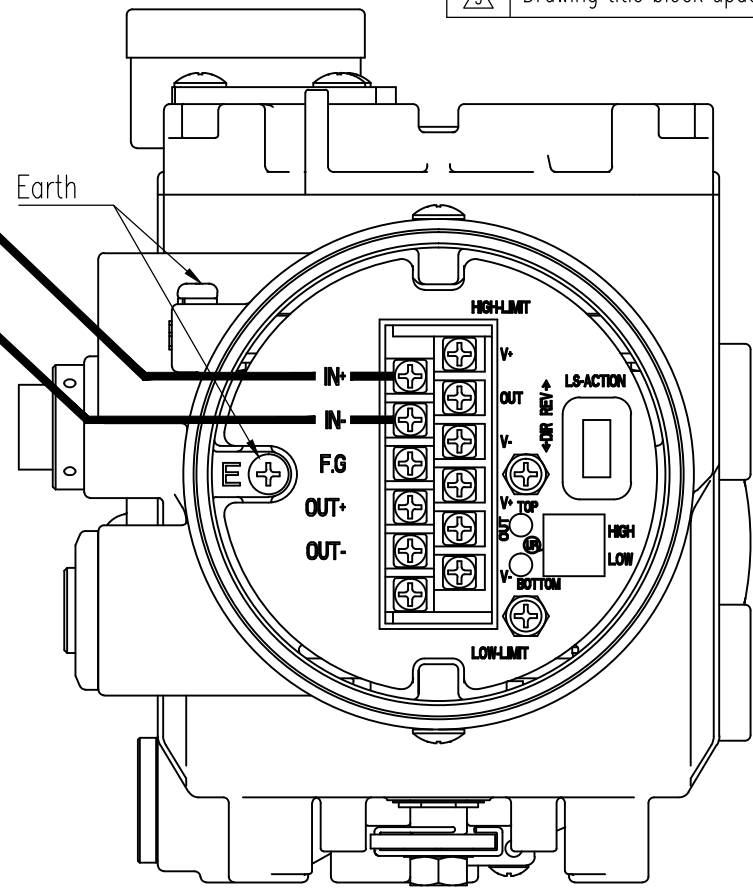
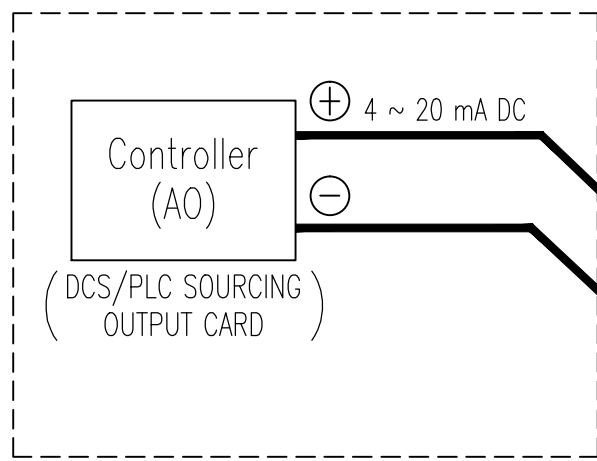


REV.NO.	REVISION DESCRIPTION	DRAWN / DATE	REVIEWED / DATE	APPROVED / DATE
△0	First Issued	KCH/20111010	JJS/20111010	LYH/20111010
△1	Ommision in the middle			
△2	Drawing arrangement	KSH/20161124	JJS/20161124	KTJ/20161124
△3	Drawing title block updated	KCH/20190731	JJS/20190731	KTJ/20190731



PROJECT NAME _____

SURFACE TEXTURE		PRODUCT NAME		Rotork YTC Limited <small>GMPO-SI, KOREA</small>	
FINISH TREATMENT		SMART POSITIONER			
MATERIAL		MODEL		TITLE	
OTHERWISE NOTE		PROJECTION		YTC-2600 Standard WIRING DIAGRAM	
GENERAL TOLERANCE		3rd		DRAWING NO.	
		QUANTITY		2600-01	
		1		REV.	
		SHEET No.		3	
		1 / 1			