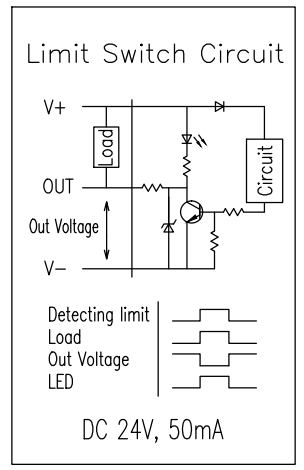


REV.NO.	REVISION DESCRIPTION	DRAWN / DATE	REVIEWED / DATE	APPROVED / DATE
①	First Issued	KCH/20111010	JJS/20111010	LYH/20111010
②	DRAWING ARRANGEMENT	KBJ/20121106	JCS/20121106	LYH/20121106
③	Com → OUT	KSH/20160325	KCH/20160325	JCS/20160325
④	DRAWING ARRANGEMENT	KSH/20160819	JJS/20160819	KTJ/20160819
⑤	DRAWING ARRANGEMENT	KSH/20161124	JJS/20161124	KTJ/20161124



SURFACE TEXTURE		PRODUCT NAME <b>SMART POSITIONER</b>	
FINISH TREATMENT		MODEL <b>YT-2600</b>	
MATERIAL		PROJECTION	SCALE
OTHERWISE NOTE	GENERAL TOLERANCE	QUANTITY	SHEET No.

PROJECT NAME		-	
<b>YOUNG TECH CO., LTD.</b> <small>GIMPO-SI, KOREA</small>			
DRAWING NO.		REV.	
<b>2600-04</b>		<b>4</b>	