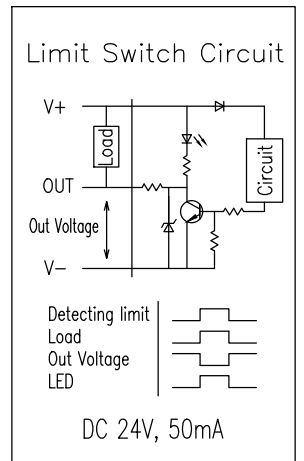
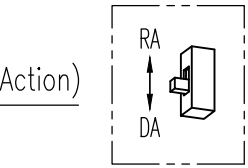
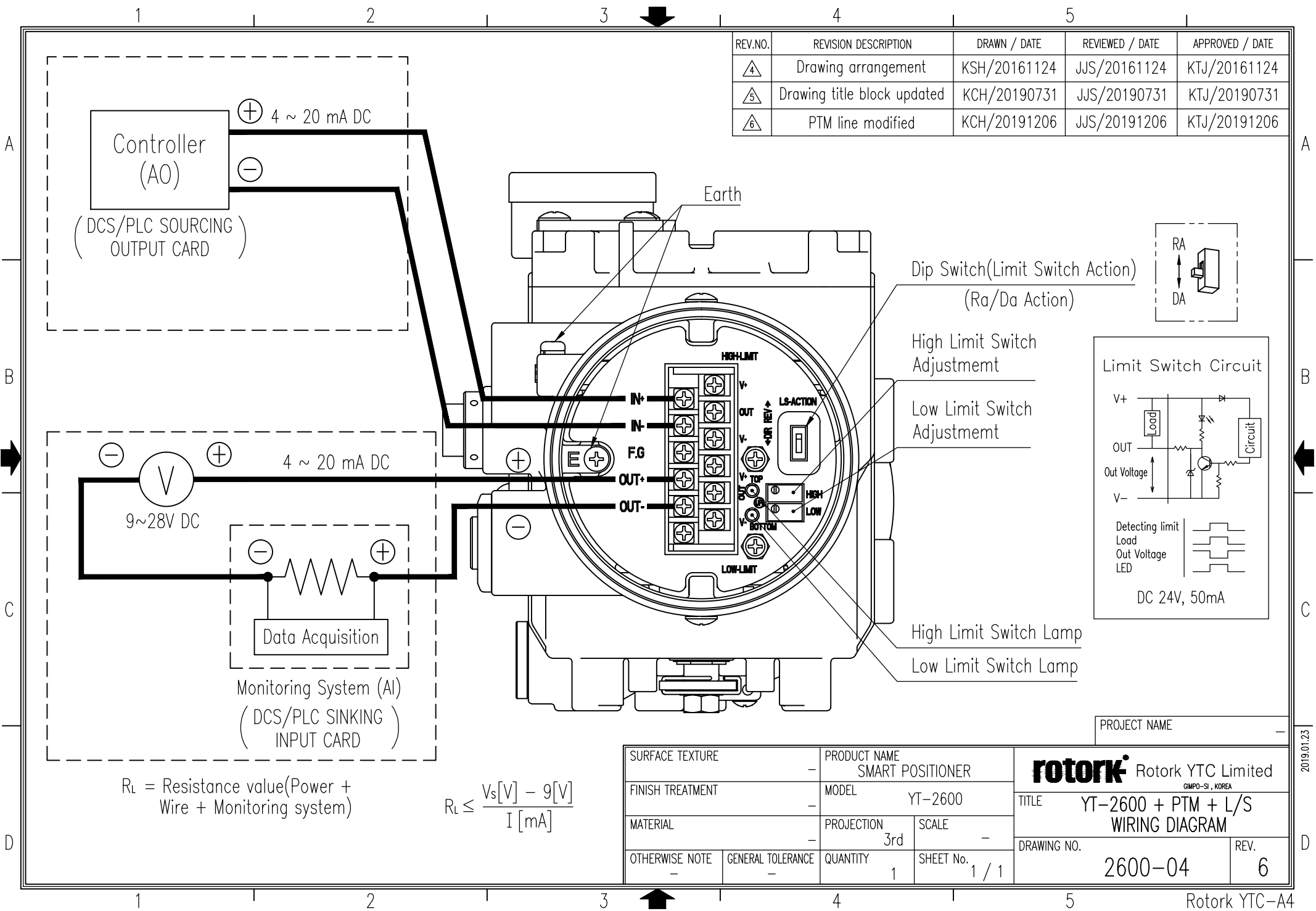


REV.NO.	REVISION DESCRIPTION	DRAWN / DATE	REVIEWED / DATE	APPROVED / DATE
△4	Drawing arrangement	KSH/20161124	JJS/20161124	KTJ/20161124
△5	Drawing title block updated	KCH/20190731	JJS/20190731	KTJ/20190731
△6	PTM line modified	KCH/20191206	JJS/20191206	KTJ/20191206



$R_L = \text{Resistance value (Power + Wire + Monitoring system)}$

$$R_L \leq \frac{V_s[V] - 9[V]}{I [mA]}$$

SURFACE TEXTURE		PRODUCT NAME	
-		SMART POSITIONER	
FINISH TREATMENT		MODEL	
-		YT-2600	
MATERIAL		PROJECTION	SCALE
-		3rd	-
OTHERWISE NOTE	GENERAL TOLERANCE	QUANTITY	SHEET No.
-	-	1	1 / 1

PROJECT NAME		-	
<b>rotork</b> Rotork YTC Limited <small>GMPO-SI, KOREA</small>			
TITLE			
YT-2600 + PTM + L/S WIRING DIAGRAM			
DRAWING NO.		REV.	
2600-04		6	