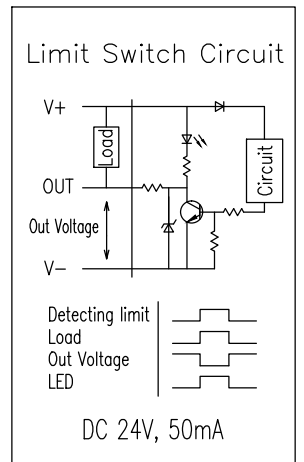
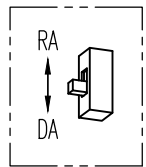
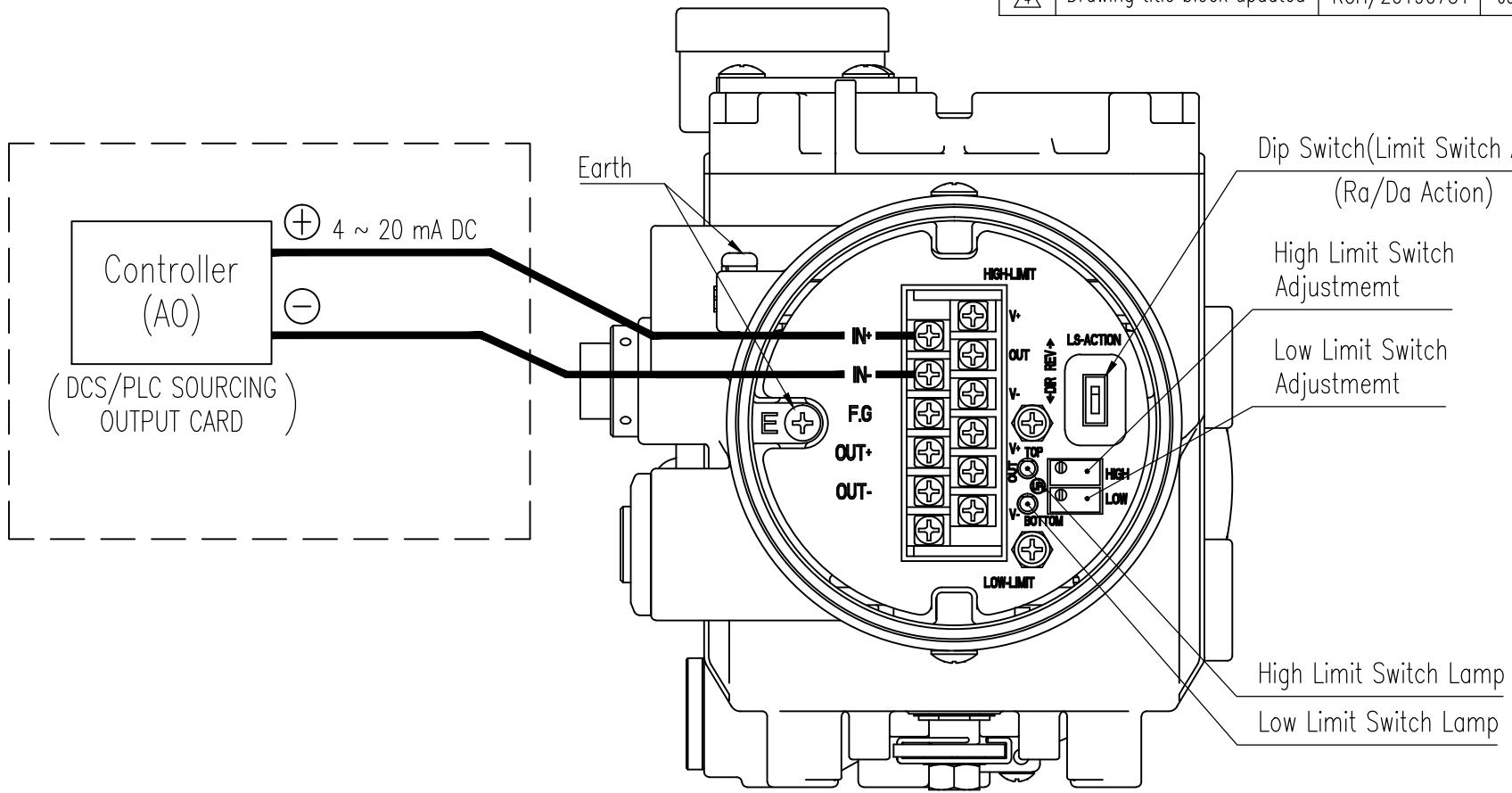


REV.NO.	REVISION DESCRIPTION	DRAWN / DATE	REVIEWED / DATE	APPROVED / DATE
△0	First Issued	KCH/20111010	JJS/20111010	LYH/20111010
	Ommision in the middle			
△3	Drawing arrangement	KSH/20161124	JJS/20161124	KTJ/20161124
△4	Drawing title block updated	KCH/20190731	JJS/20190731	KTJ/20190731



PROJECT NAME \_\_\_\_\_

SURFACE TEXTURE		PRODUCT NAME		<b>rotork</b> Rotork YTC Limited GMPO-SI, KOREA	
-		SMART POSITIONER			
FINISH TREATMENT		MODEL		TITLE	
-		YT-2600			
MATERIAL		PROJECTION	SCALE	DRAWING NO.	
-		3rd	-		
OTHERWISE NOTE	GENERAL TOLERANCE	QUANTITY	SHEET No.	2600-03	
-	-	1	1 / 1		
				REV.	4