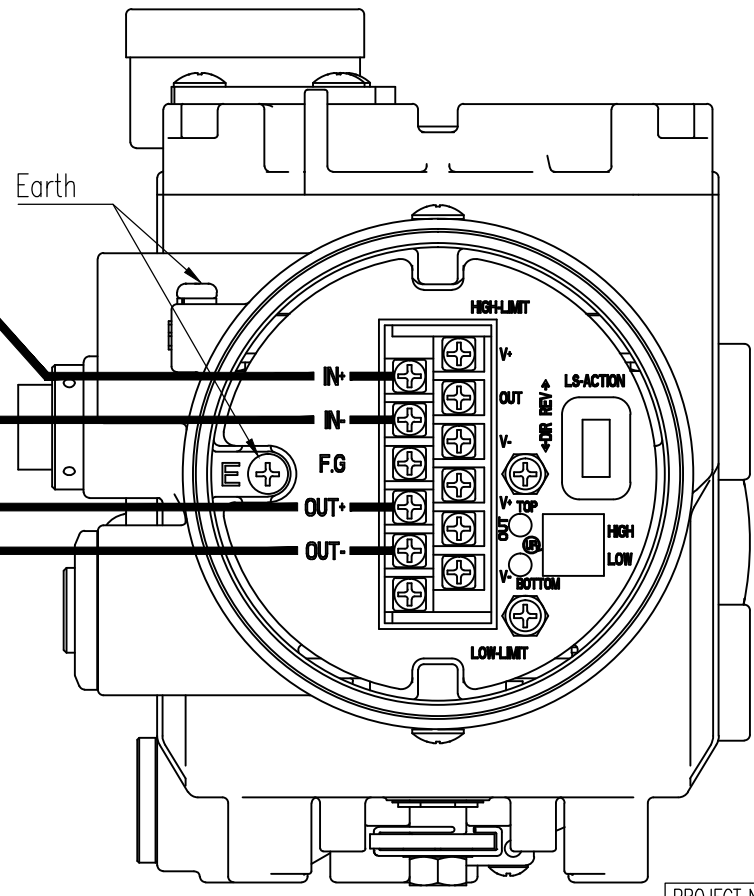
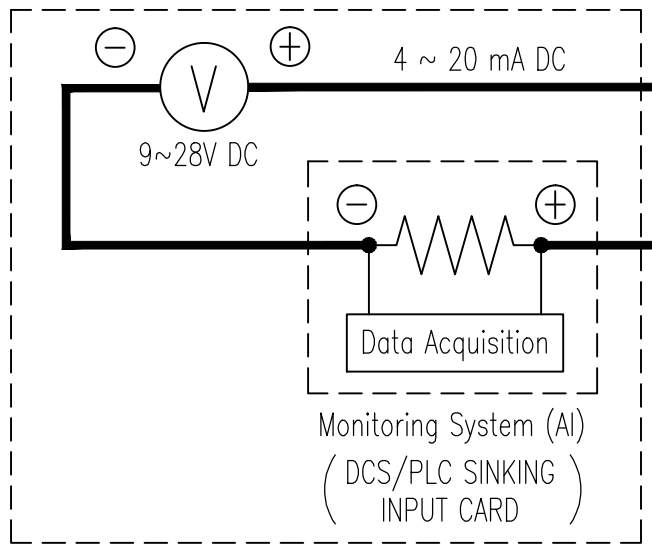
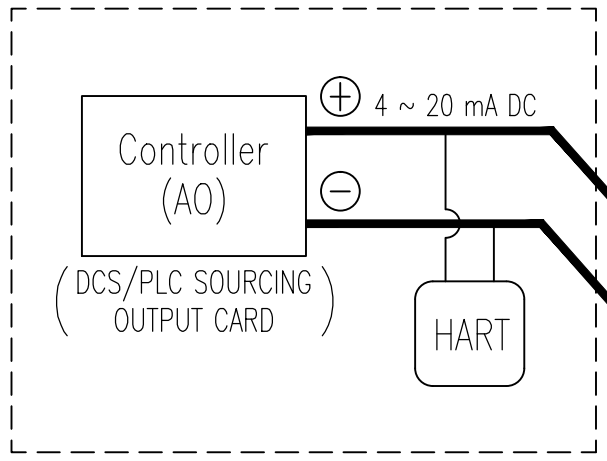


REV.NO.	REVISION DESCRIPTION	DRAWN / DATE	REVIEWED / DATE	APPROVED / DATE
3	Drawing arrangement	KSH/20161124	JJS/20161124	KTJ/20161124
4	Drawing title block updated	KCH/20190731	JJS/20190731	KTJ/20190731
5	PTM line modified	KCH/20191206	JJS/20191206	KTJ/20191206



$$R_L \leq \frac{V_s[V] - 9[V]}{I [mA]}$$

R_L = Resistance value(Power + Wire + Monitoring system)

PROJECT NAME _____

SURFACE TEXTURE		PRODUCT NAME		Rotork YTC Limited <small>GMPO-SI, KOREA</small>	
FINISH TREATMENT		SMART POSITIONER			
MATERIAL		MODEL	YT-2600	TITLE	
OTHERWISE NOTE		PROJECTION	3rd	YT-2600 + HART + PTM WIRING DIAGRAM	
GENERAL TOLERANCE		SCALE	-	DRAWING NO.	REV.
		QUANTITY	1	2600-06	5
		SHEET No.	1 / 1		