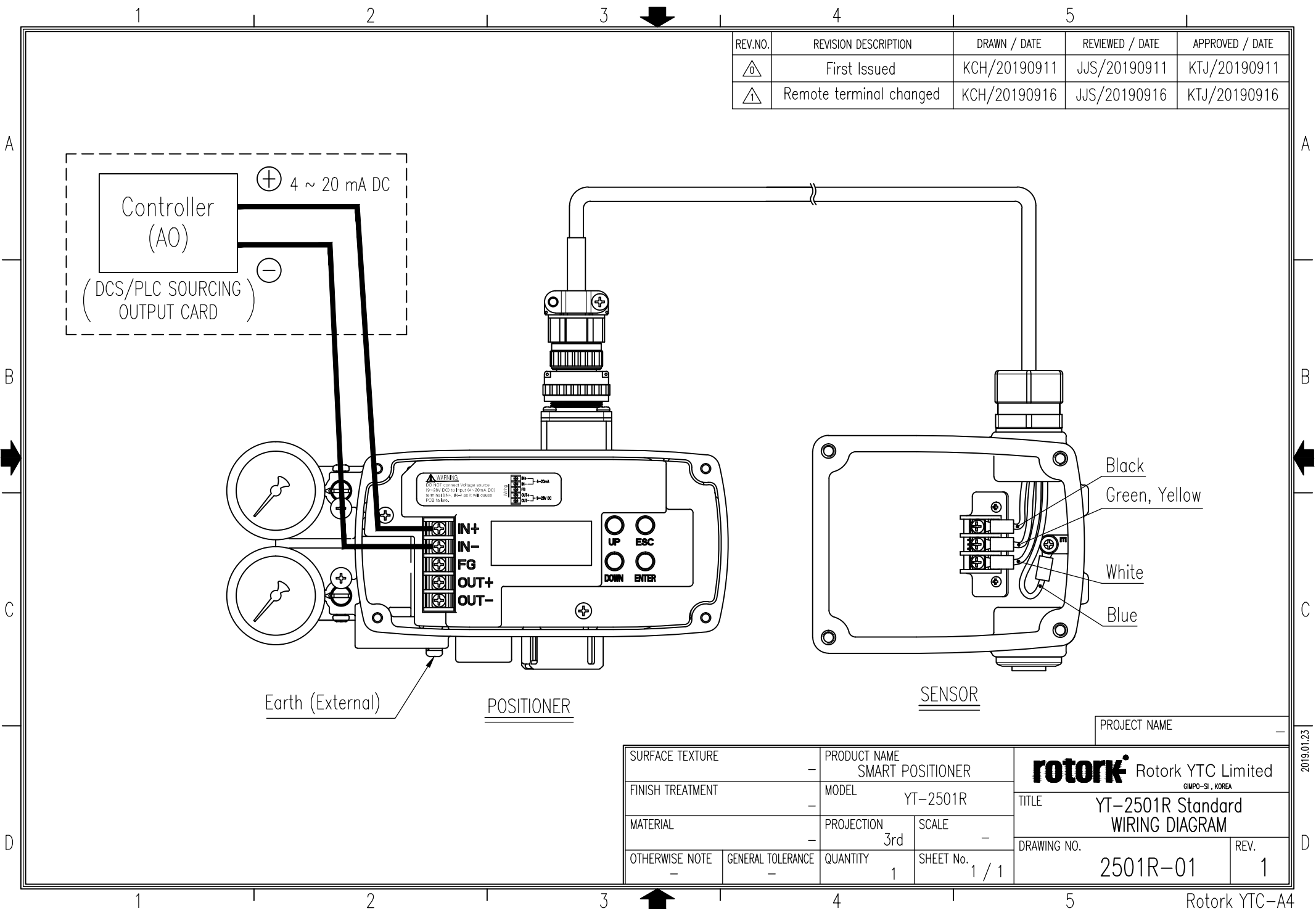


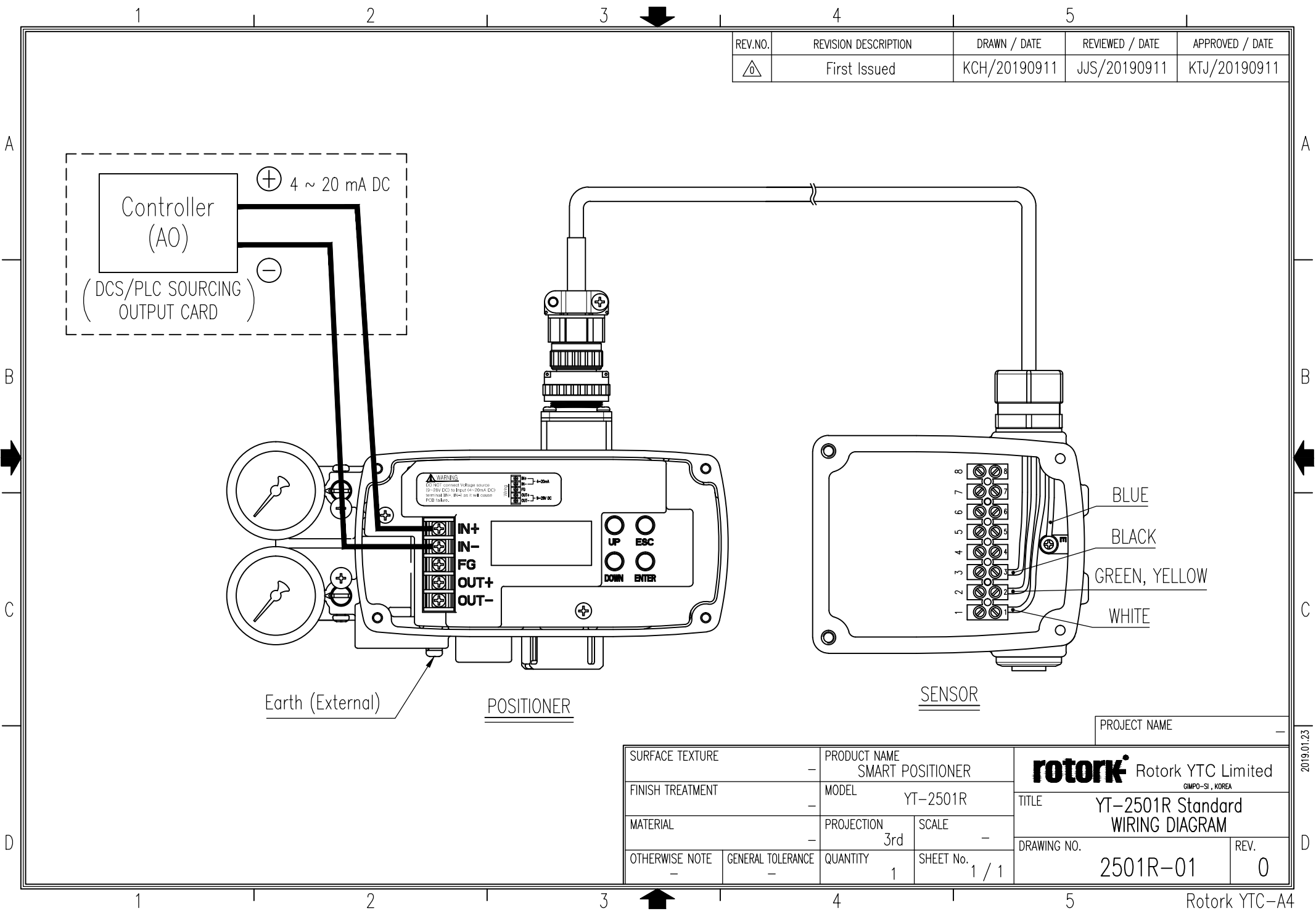
REV.NO.	REVISION DESCRIPTION	DRAWN / DATE	REVIEWED / DATE	APPROVED / DATE
△	First Issued	KCH/20190911	JJS/20190911	KTJ/20190911
△	Remote terminal changed	KCH/20190916	JJS/20190916	KTJ/20190916



PROJECT NAME _____

SURFACE TEXTURE		-		PRODUCT NAME SMART POSITIONER		Rotork YTC Limited GIMPO-SI., KOREA	
FINISH TREATMENT		-		MODEL YT-2501R			
MATERIAL		-		PROJECTION 3rd	SCALE -	TITLE YT-2501R Standard WIRING DIAGRAM	
OTHERWISE NOTE		-		QUANTITY 1	SHEET No. 1 / 1	DRAWING NO. 2501R-01	
GENERAL TOLERANCE		-				REV. 1	

REV.NO.	REVISION DESCRIPTION	DRAWN / DATE	REVIEWED / DATE	APPROVED / DATE
△	First Issued	KCH/20190911	JJS/20190911	KTJ/20190911



PROJECT NAME _____

SURFACE TEXTURE		-		PRODUCT NAME SMART POSITIONER		Rotork YTC Limited GIMPO-SI, KOREA	
FINISH TREATMENT		-		MODEL YT-2501R			
MATERIAL		-		PROJECTION 3rd	SCALE -	TITLE YT-2501R Standard WIRING DIAGRAM	
OTHERWISE NOTE		-		QUANTITY 1	SHEET No. 1 / 1	DRAWING NO. 2501R-01	
GENERAL TOLERANCE		-				REV. 0	