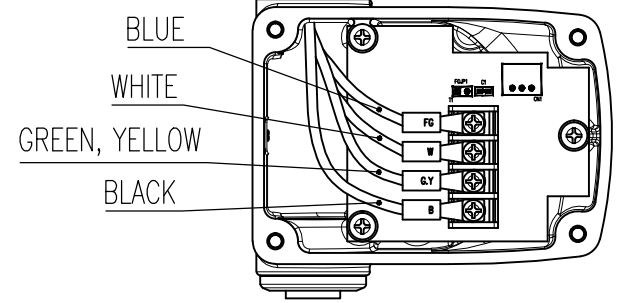
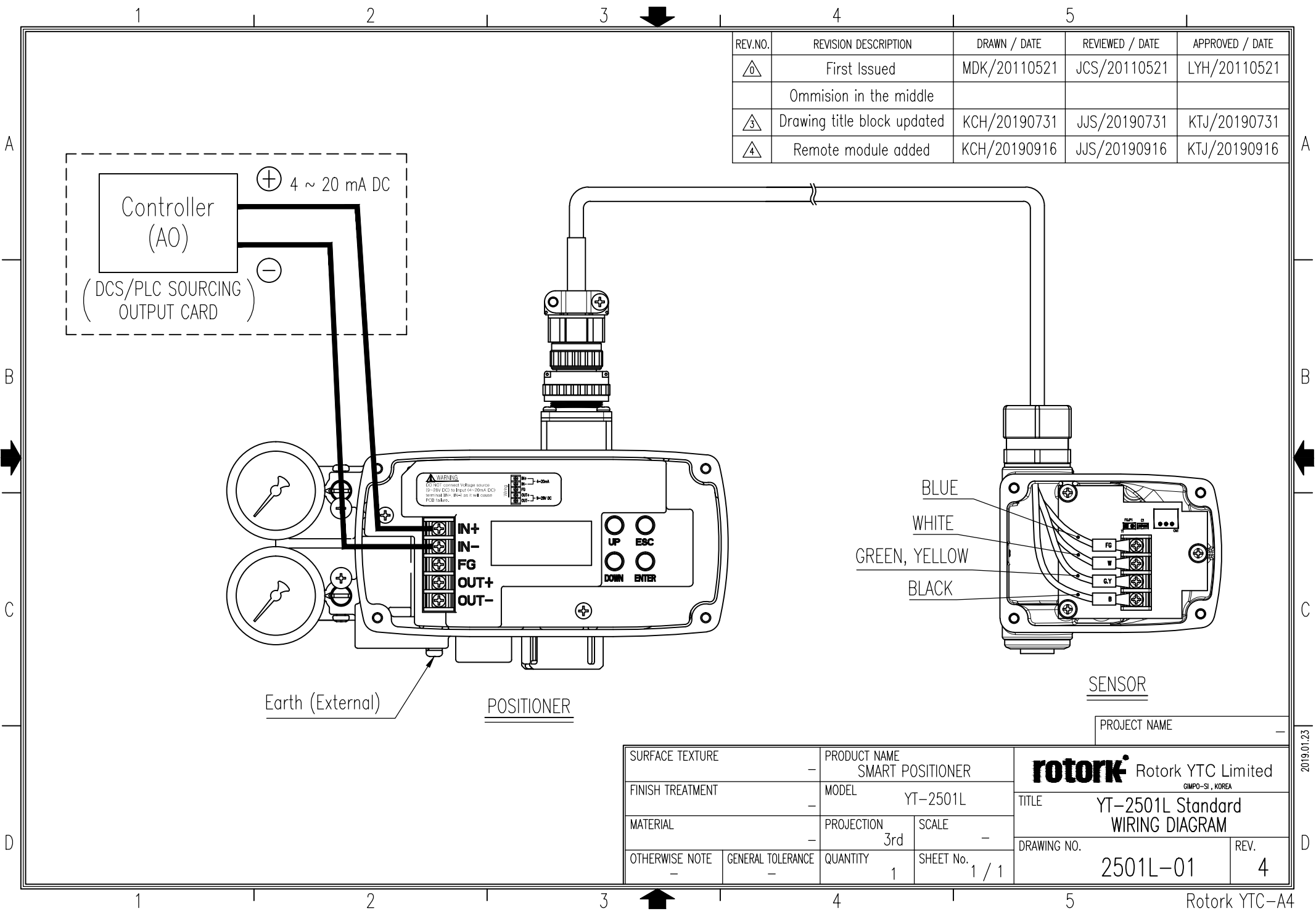



REV.NO.	REVISION DESCRIPTION	DRAWN / DATE	REVIEWED / DATE	APPROVED / DATE
△0	First Issued	MDK/20110521	JCS/20110521	LYH/20110521
	Ommision in the middle			
△3	Drawing title block updated	KCH/20190731	JJS/20190731	KTJ/20190731
△4	Remote module added	KCH/20190916	JJS/20190916	KTJ/20190916



PROJECT NAME _____

SURFACE TEXTURE		-		PRODUCT NAME SMART POSITIONER		 Rotork YTC Limited GMPQ-SI, KOREA	
FINISH TREATMENT		-		MODEL YT-2501L			
MATERIAL		-		PROJECTION 3rd	SCALE -	TITLE YT-2501L Standard WIRING DIAGRAM	
OTHERWISE NOTE -	GENERAL TOLERANCE -	QUANTITY 1	SHEET No. 1 / 1	DRAWING NO. 2501L-01		REV. 4	