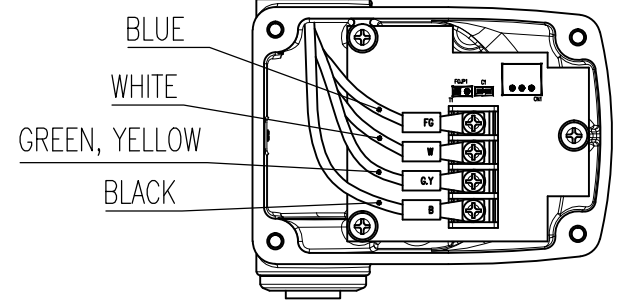
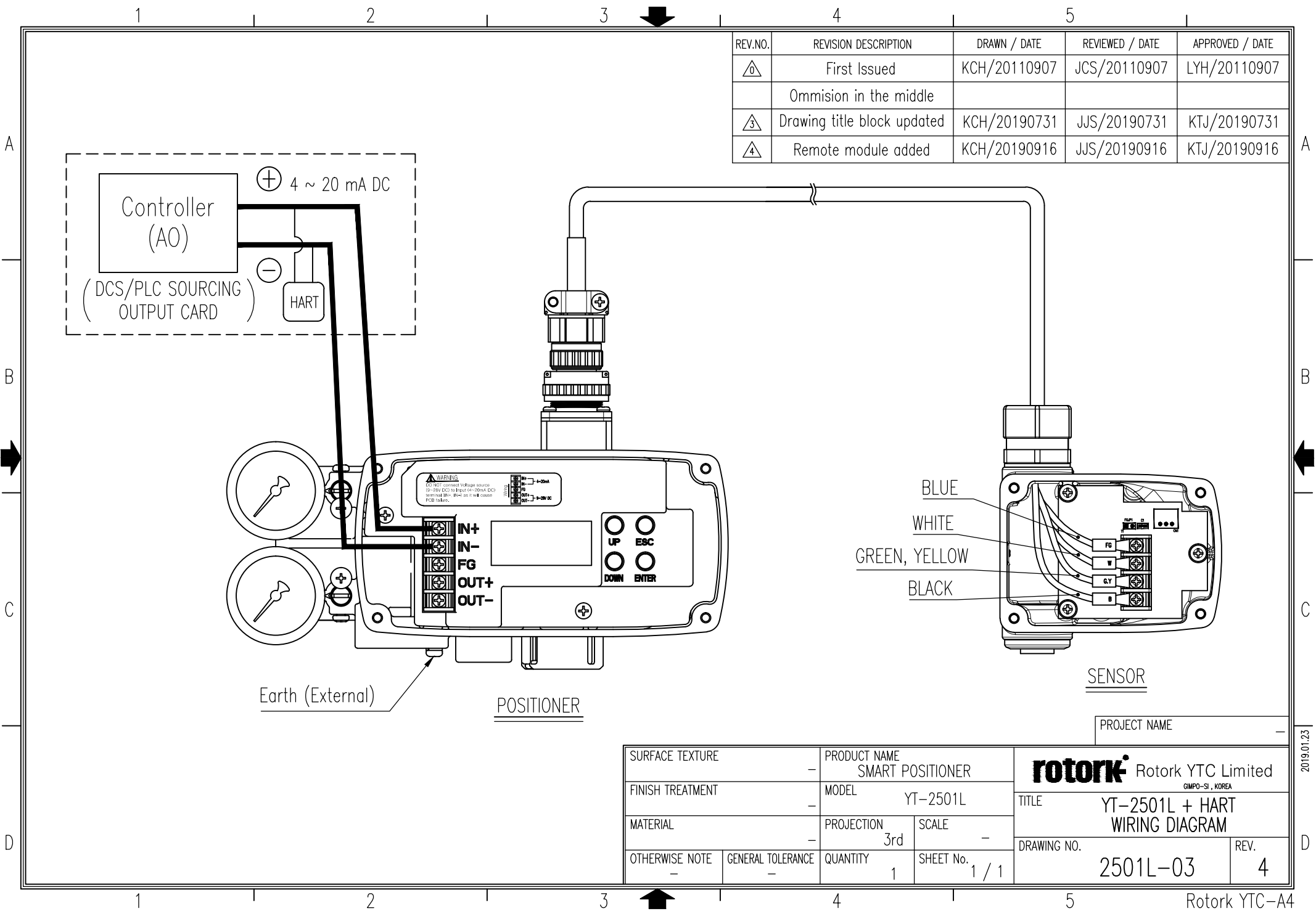


REV.NO.	REVISION DESCRIPTION	DRAWN / DATE	REVIEWED / DATE	APPROVED / DATE
△0	First Issued	KCH/20110907	JCS/20110907	LYH/20110907
	Ommision in the middle			
△3	Drawing title block updated	KCH/20190731	JJS/20190731	KTJ/20190731
△4	Remote module added	KCH/20190916	JJS/20190916	KTJ/20190916



SENSOR

Earth (External)

POSITIONER

PROJECT NAME _____

SURFACE TEXTURE		-		PRODUCT NAME SMART POSITIONER		Rotork YTC Limited GMPQ-SI, KOREA	
FINISH TREATMENT		-		MODEL YT-2501L			
MATERIAL		-		PROJECTION 3rd	SCALE -	TITLE YT-2501L + HART WIRING DIAGRAM	
OTHERWISE NOTE	GENERAL TOLERANCE	QUANTITY	SHEET No.	DRAWING NO.		REV.	
-	-	1	1 / 1	2501L-03		4	