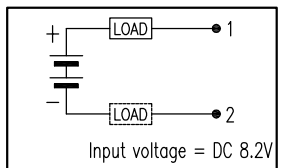
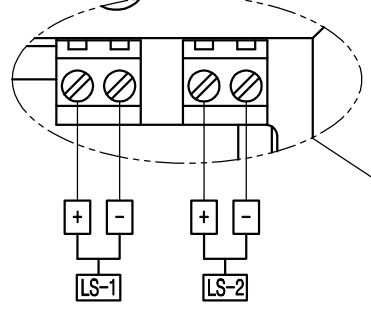
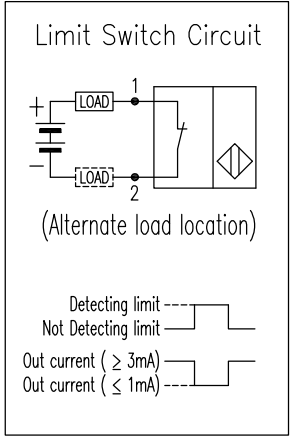
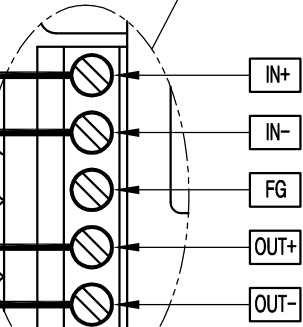
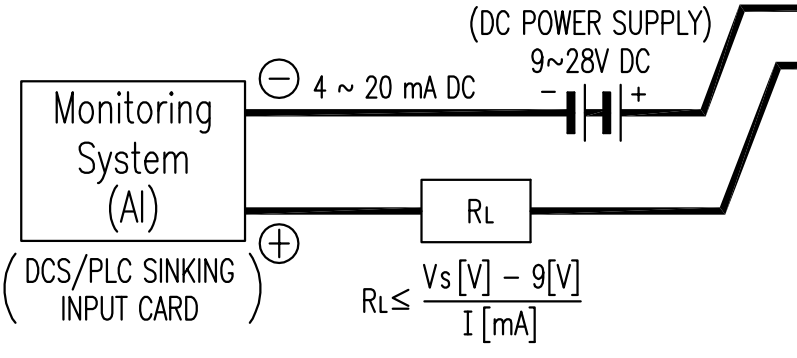
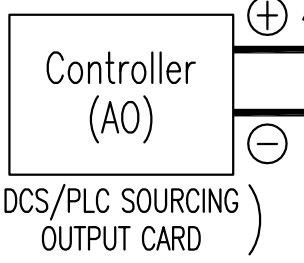
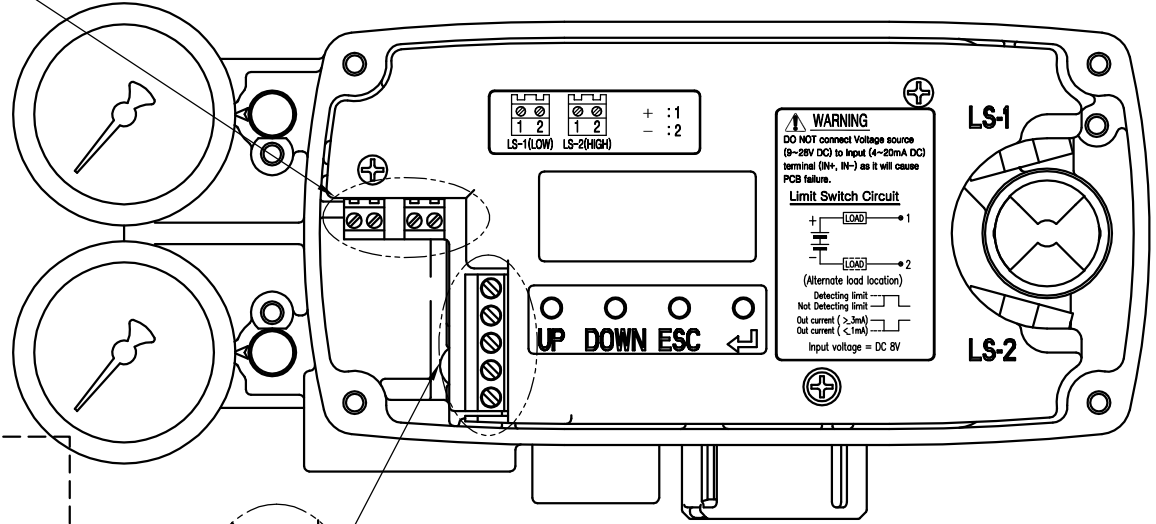


REV.NO.	REVISION DESCRIPTION	DRAWN / DATE	REVIEWED / DATE	APPROVED / DATE
△0	First Issued	KSH/20160819	JJS/20160819	KTJ/20160819
△1	DRAWING ARRANGEMENT	KSH/20161124	JJS/20161124	KTJ/20161124
△2	DRAWING ARRANGEMENT	KSH/20190103	JJS/20190103	KTJ/20190103



<PROXIMITY SENSOR(P&F) TERMINAL>



* P&F Proximity Sensor Spec.

Supply Voltage	DC 8.2V
Output Current	Not Detected : ≥ 3mA, Detected : ≤ 1mA
Type	Namur, NC

SURFACE TEXTURE	PRODUCT NAME SMART POSITIONER
FINISH TREATMENT	MODEL YT-2500
MATERIAL	PROJECTION SCALE
OTHERWISE NOTE	GENERAL TOLERANCE QUANTITY SHEET No.

PROJECT NAME Proximity type

YTC YOUNG TECH CO., LTD.
GIMPO-SI, KOREA

TITLE **YT-2500+PTM+L/S(Proximity) WIRING DIAGRAM**

DRAWING NO. **2500-09** REV. **2**