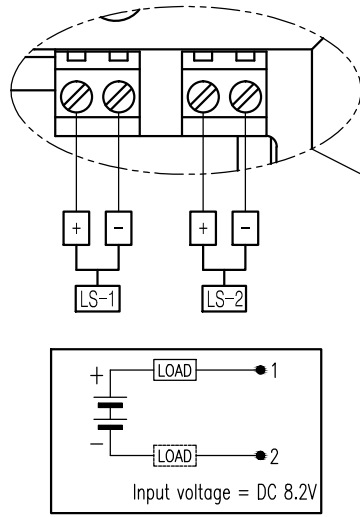
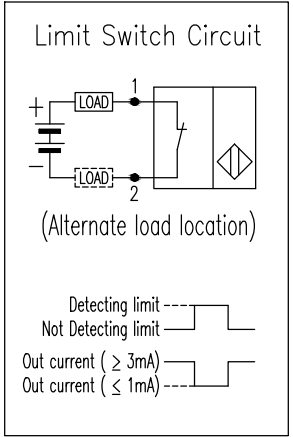
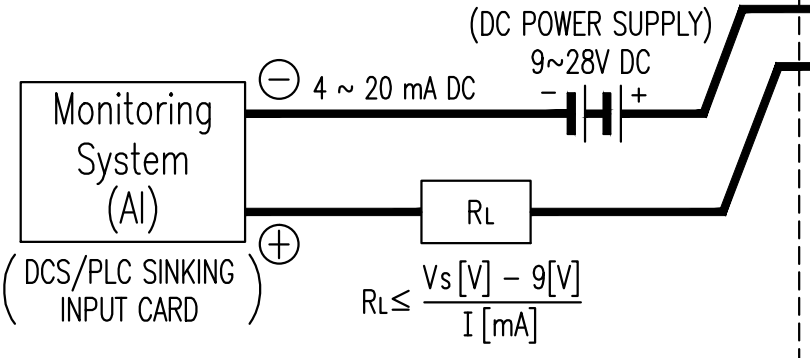
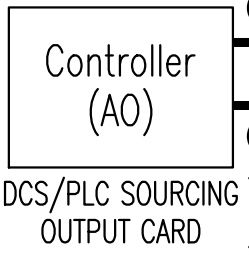
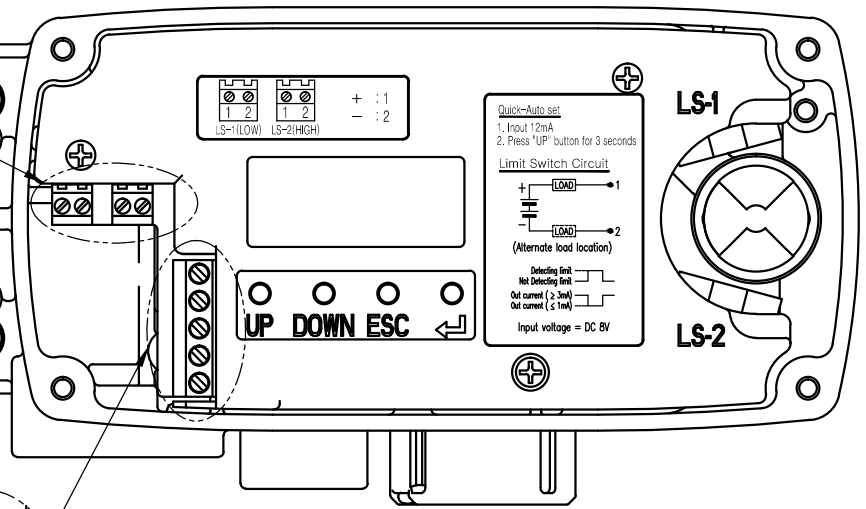


REV.NO.	REVISION DESCRIPTION	DRAWN / DATE	REVIEWED / DATE	APPROVED / DATE
△0	First Issued	KSH/20160819	JJS/20160819	KTJ/20160819
△1	DRAWING ARRANGEMENT	KSH/20161124	JJS/20161124	KTJ/20161124



<PROXIMITY SENSOR(P&F) TERMINAL>



* P&F Proximity Sensor Spec.

Supply Voltage	DC 8.2V
Output Current	Not Detected : ≥ 3mA, Detected : ≤ 1mA
Type	Namur, NC

PROJECT NAME Proximity type

SURFACE TEXTURE	PRODUCT NAME SMART POSITIONER	YOUNG TECH CO., LTD. GIMPO-SI, KOREA	
FINISH TREATMENT	MODEL YT-2500		
MATERIAL	PROJECTION	SCALE	TITLE YT-2500+PTM+L/S(Proximity) WIRING DIAGRAM
OTHERWISE NOTE	GENERAL TOLERANCE	QUANTITY	
		SHEET No.	REV. 1

2016.07.12