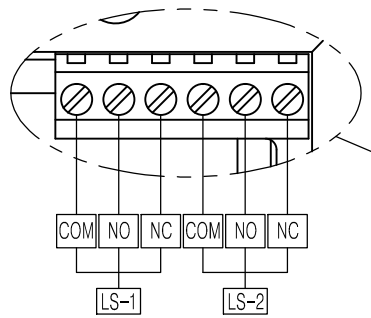
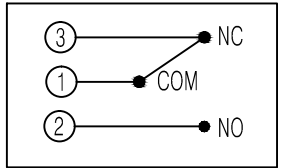


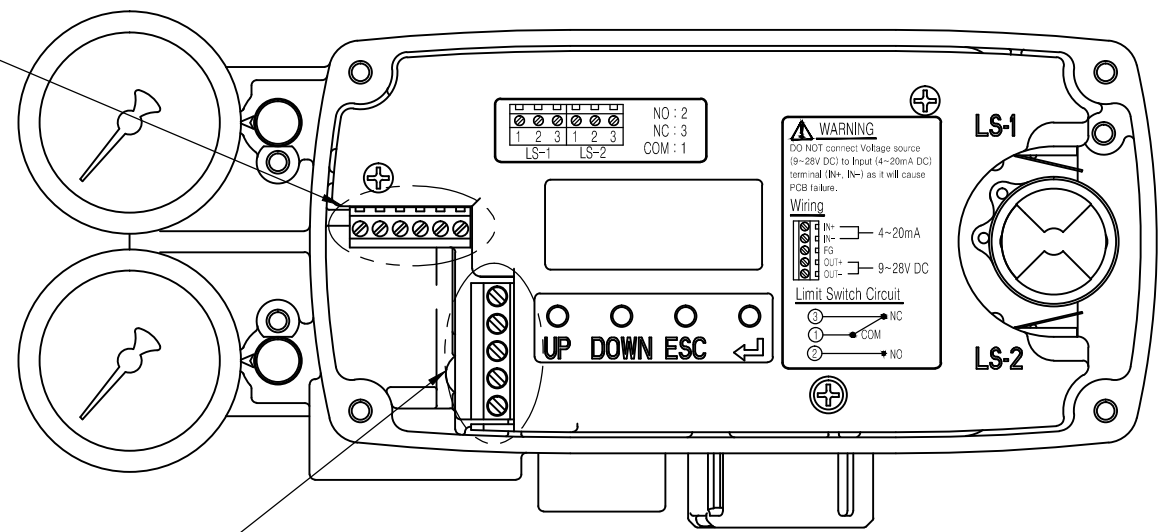
| REV.NO. | REVISION DESCRIPTION        | DRAWN / DATE | REVIEWED / DATE | APPROVED / DATE |
|---------|-----------------------------|--------------|-----------------|-----------------|
| 0       | First Issued                | JCS/20110618 |                 | LYH/20110618    |
|         | Ommision in the middle      |              |                 |                 |
| 3       | Drawing arrangement         | KSH/20190103 | JJS/20190103    | KTJ/20190103    |
| 4       | Drawing title block updated | KCH/20190731 | JJS/20190731    | KTJ/20190731    |



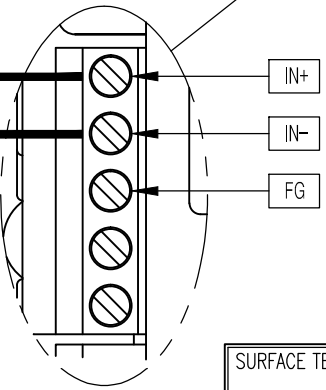
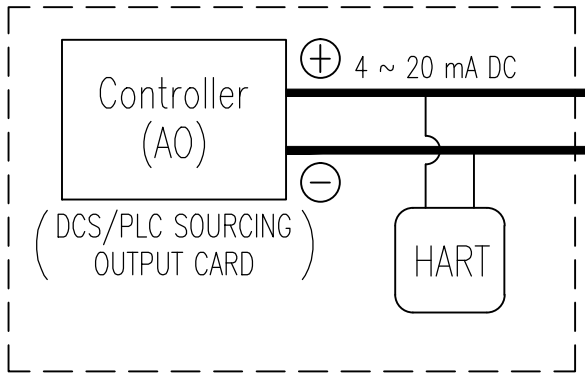
2 WIRE CONNECTION



<MECHANICAL SWITCH TERMINAL>



\* Micro Switch Rating  
AC 125V 3A / DC 30V 2A



PROJECT NAME \_\_\_\_\_

|                  |                   |                                  |                    |                                                              |           |
|------------------|-------------------|----------------------------------|--------------------|--------------------------------------------------------------|-----------|
| SURFACE TEXTURE  |                   | PRODUCT NAME<br>SMART POSITIONER |                    | Rotork YTC Limited<br>GMPO-SI, KOREA                         |           |
| FINISH TREATMENT |                   | MODEL<br>YT-2500, 2550           |                    |                                                              |           |
| MATERIAL         |                   | PROJECTION<br>3rd                | SCALE<br>-         | TITLE<br>YT-2500/2550 + HART +<br>L/S(2xSPDT) WIRING DIAGRAM |           |
| OTHERWISE NOTE   | GENERAL TOLERANCE | QUANTITY<br>1                    | SHEET No.<br>1 / 1 | DRAWING NO.<br>2500-07                                       | REV.<br>4 |