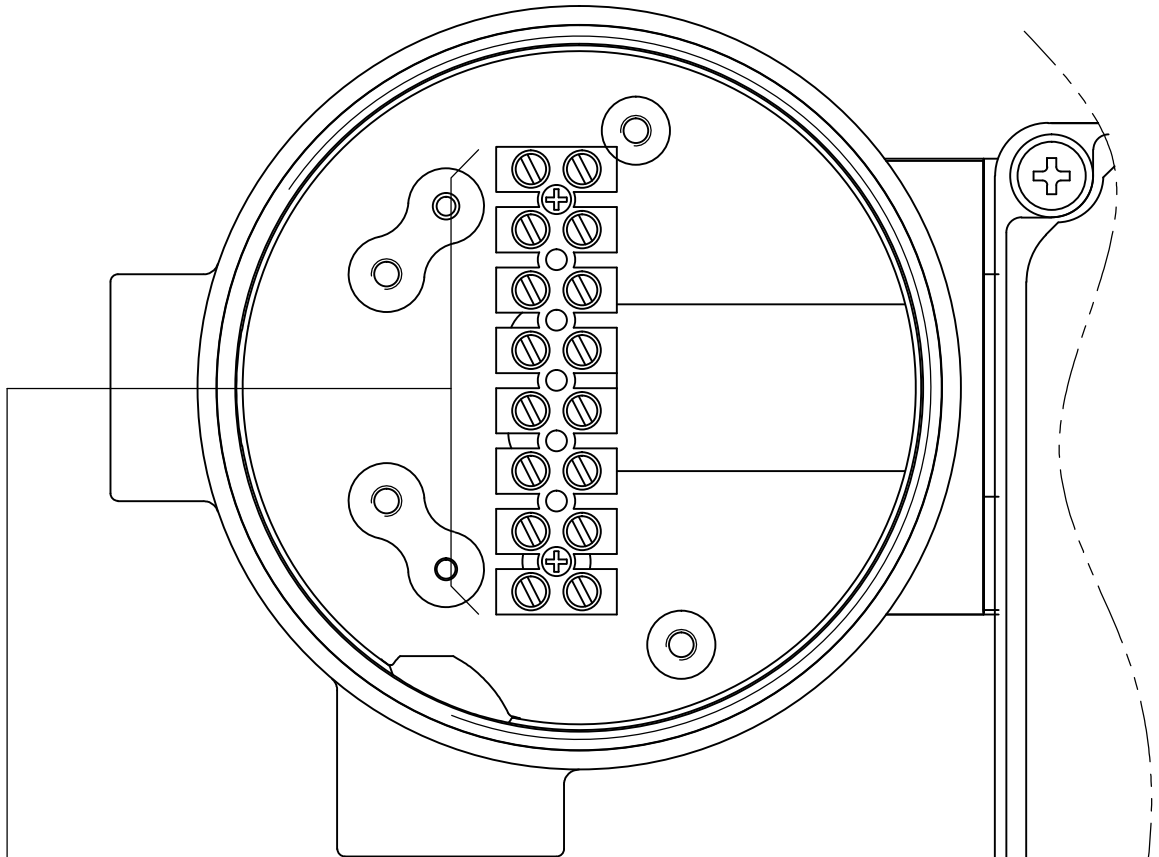
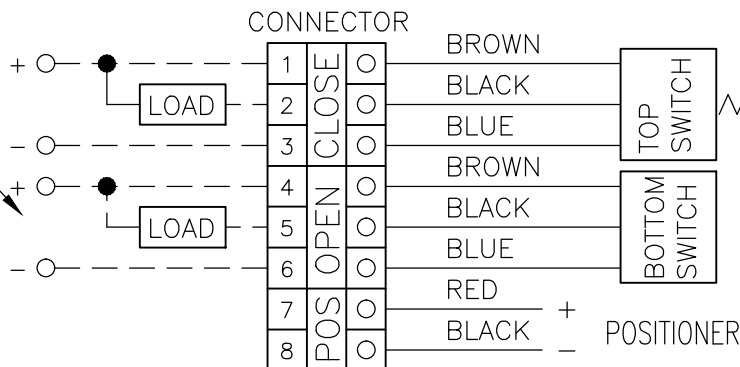


REV.NO.	REVISION DESCRIPTION	DRAWN / DATE	REVIEWED / DATE	APPROVED / DATE
△	First Issued	KCH/20110618	JJS/20110618	LYH/20110618
△	Drawing title block updated	KCH/20190730	JJS/20190730	KTJ/20190730



* Proximity Sensor Spec.

Supply Voltage	DC12~24V, Ripple : below 10%
Output Current	Max. 50mA
Type	NPN (Open Collector)



PROJECT NAME _____

SURFACE TEXTURE		PRODUCT NAME		rotork Rotork YTC Limited <small>GIMPO-SI, KOREA</small>	
-		E/P POSITIONER			
FINISH TREATMENT		MODEL		TITLE YT-1000R + L/S(2xProximity sensor) internal WIRING DIAGRAM	
-		YT-1000R			
MATERIAL		PROJECTION	SCALE	DRAWING NO. 1000-04	
-		3rd	-		
OTHERWISE NOTE		QUANTITY	SHEET No.	REV. 1	
-		1	1 / 1		

2019.01.23