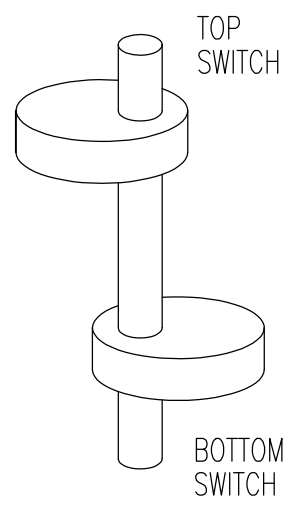
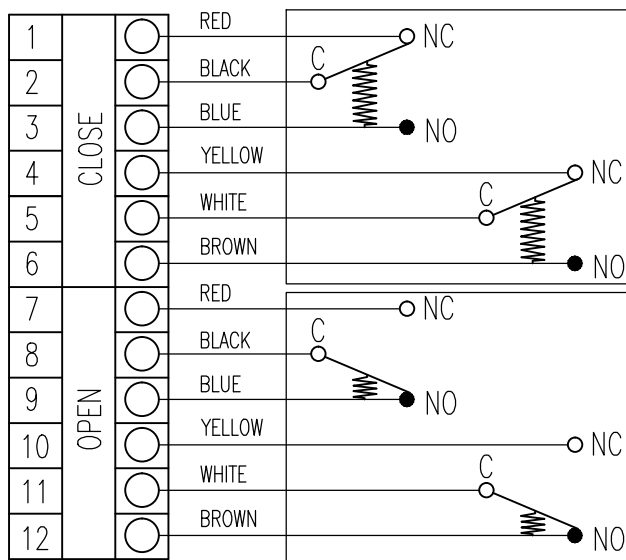
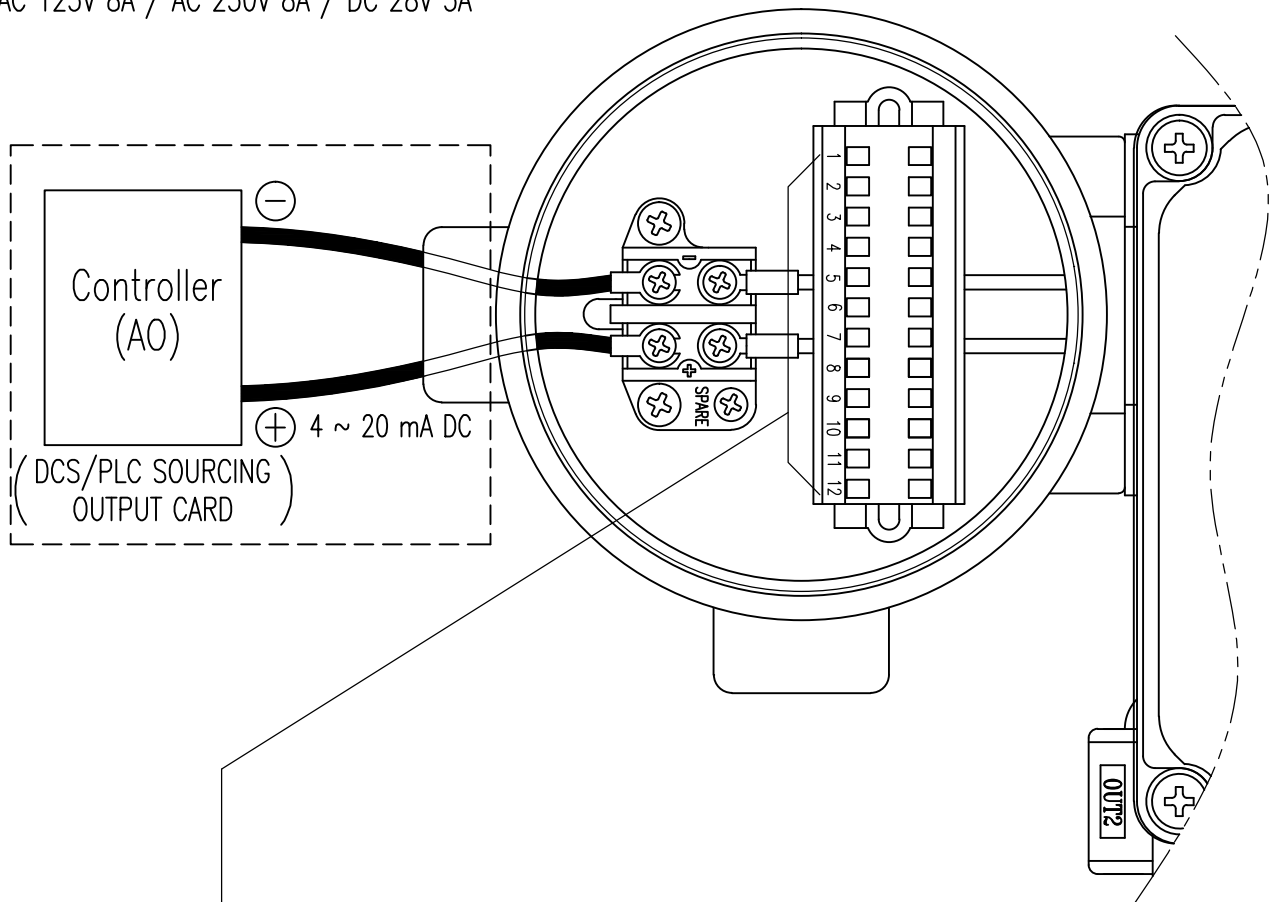


REV.NO.	REVISION DESCRIPTION	DRAWN / DATE	REVIEWED / DATE	APPROVED / DATE
△1	First Issued	KCH/20110618	JCS/20110618	LYH/20110618
	Ommision in the middle			
△2	Drawing arrangement	KSH/20161124	JJS/20161124	KTJ/20161124
△3	Drawing title block updated	KCH/20190730	JJS/20190730	KTJ/20190730

**\* Micro Switch Rating**

AC 125V 8A / AC 250V 8A / DC 28V 5A



PROJECT NAME \_\_\_\_\_

SURFACE TEXTURE -		PRODUCT NAME E/P POSITIONER		<b>rotork</b> Rotork YTC Limited <small>GIMPO-SI, KOREA</small>	
FINISH TREATMENT -		MODEL YT-1000R			
MATERIAL -		PROJECTION 3rd	SCALE -		DRAWING NO. 1000-08
OTHERWISE NOTE -	GENERAL TOLERANCE -	QUANTITY 1	SHEET No. 1 / 1		

2019.01.23