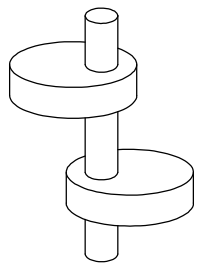
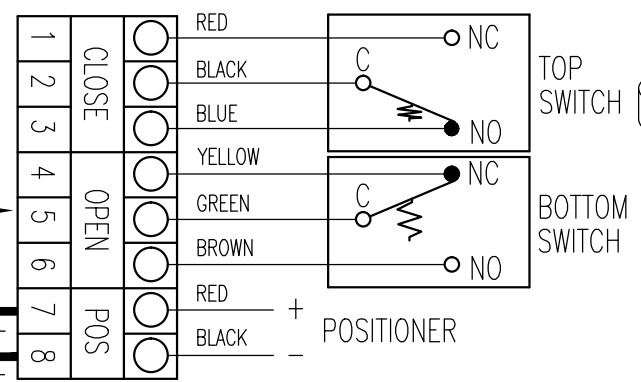
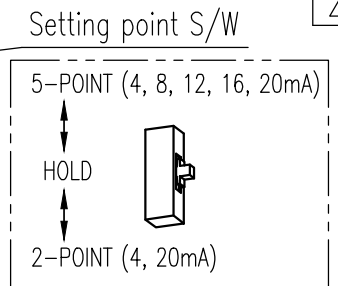
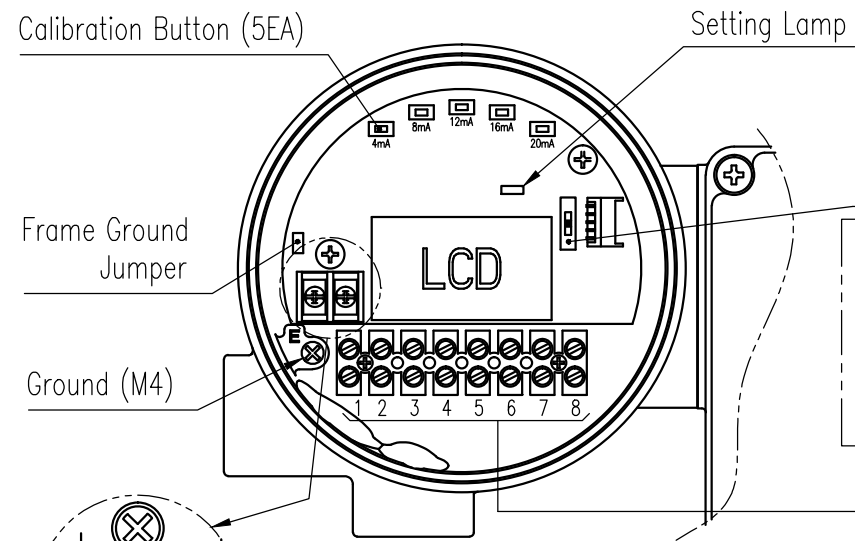
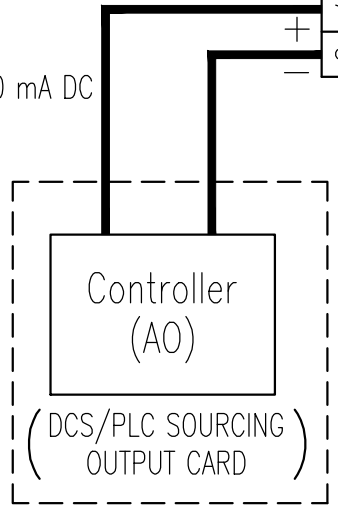
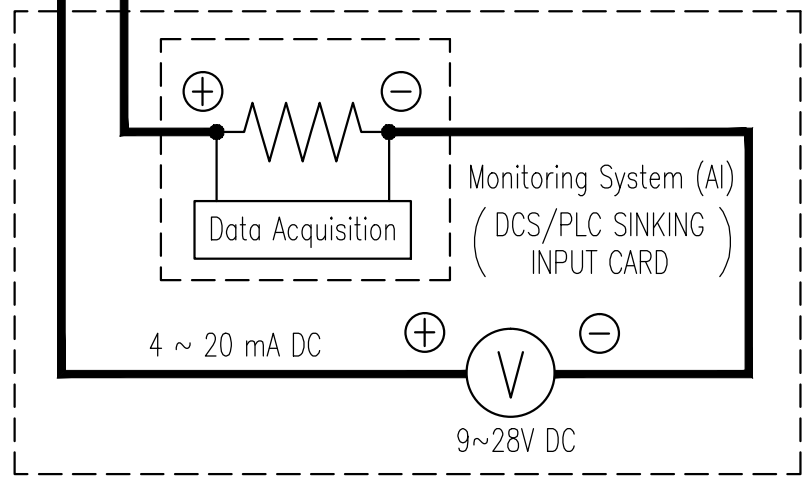


REV.NO.	REVISION DESCRIPTION	DRAWN / DATE	REVIEWED / DATE	APPROVED / DATE
△3	Drawing arrangement	KSH/20161124	JJS/20161124	KTJ/20161124
△4	Drawing title block updated	KCH/20190730	JJS/20190730	KTJ/20190730
△5	PTM line modified	KCH/20191206	JJS/20191206	KTJ/20191206
△6	PTM line modified	KBJ/20200917	JJS/20200917	KTJ/20200917



*** Micro Switch Rating**

OMRON V-165-1A5 (Standard)	OMRON SS-5GL (Special)
AC 250V 16A	AC 125V 5A
DC 125V 0.6A	AC 250V 3A
DC 250V 0.3A	



R_L = Resistance value
(Power + Wire + Monitoring system)

$$R_L \leq \frac{V_s[V] - 9[V]}{I [mA]}$$

SURFACE TEXTURE	-	PRODUCT NAME	E/P POSITIONER	
FINISH TREATMENT	-	MODEL	YT-1000R	
MATERIAL	-	PROJECTION	3rd	SCALE
OTHERWISE NOTE	-	GENERAL TOLERANCE	-	-
		QUANTITY	1	SHEET No. 1 / 1

PROJECT NAME		-	
rotork Rotork YTC Limited GMPO-SI, KOREA			
TITLE YT-1000R + SPTM LCD + L/S(SPDT) internal WIRING DIAGRAM			
DRAWING NO.		REV.	
1000-11		6	