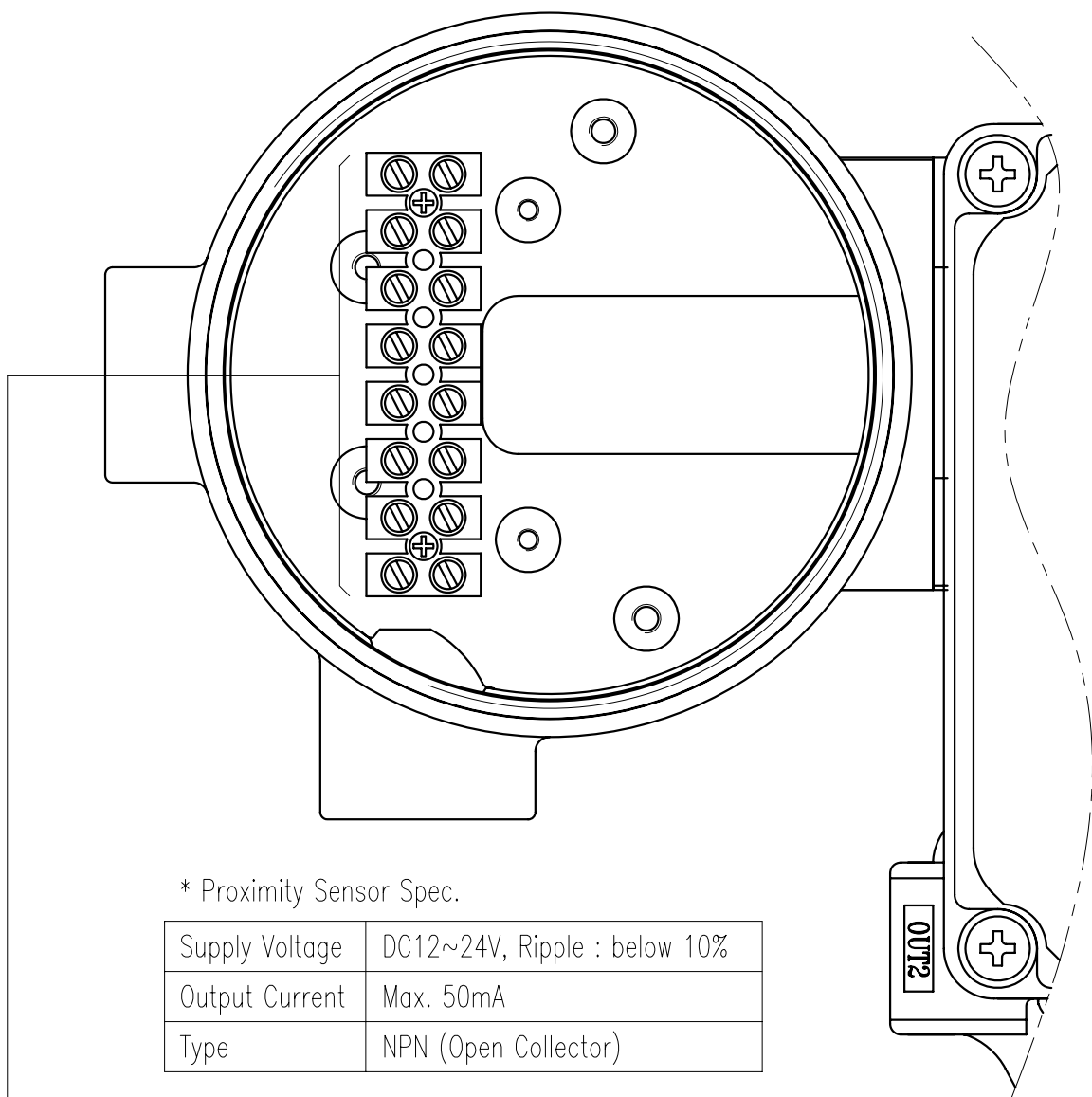
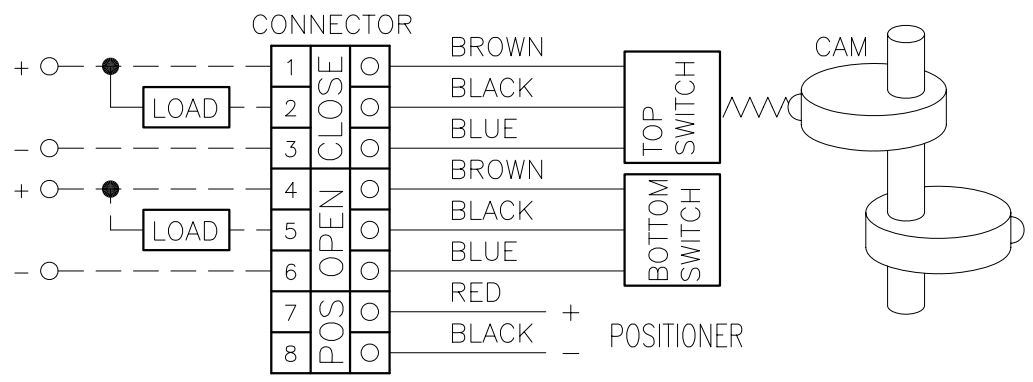


REV.NO.	REVISION DESCRIPTION	DRAWN / DATE	REVIEWED / DATE	APPROVED / DATE
△	FIRST ISSUED	KCH/110618	JCS/110618	LYH/110618
△				



\* Proximity Sensor Spec.

Supply Voltage	DC12~24V, Ripple : below 10%
Output Current	Max. 50mA
Type	NPN (Open Collector)



PROJECT NAME -

SURFACE TEXTURE	PRODUCT NAME <b>E/P POSITIONER</b>		<b>YOUNG TECH CO., LTD.</b> <small>SEOUL, KOREA</small>
FINISH TREATMENT	MODEL <b>YT-1000R</b>		
MATERIAL	PROJECTION	SCALE	TITLE <b>YT-1000R + Proximity Sensor(Internal) WIRING DIAGRAM</b>
OTHERWISE NOTE	GENERAL TOLERANCE	QUANTITY	DRAWING NO. <b>1000-04</b>
		SHEET No.	REV. <b>0</b>