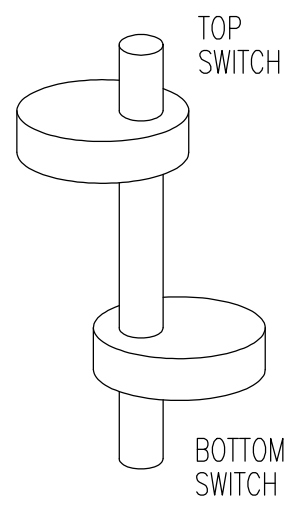
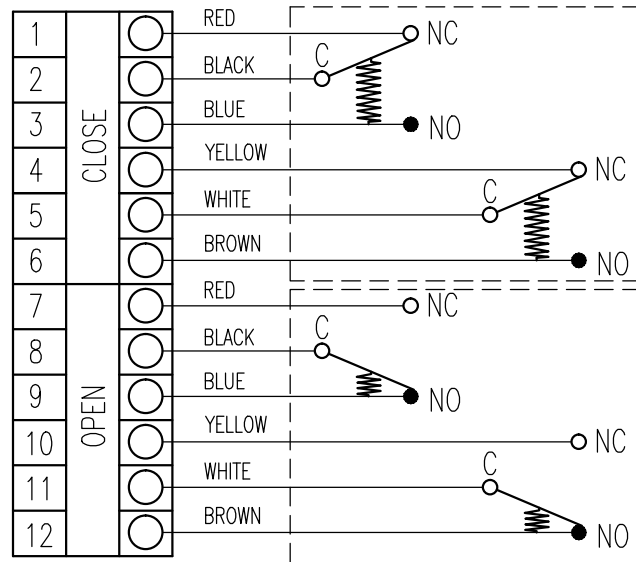
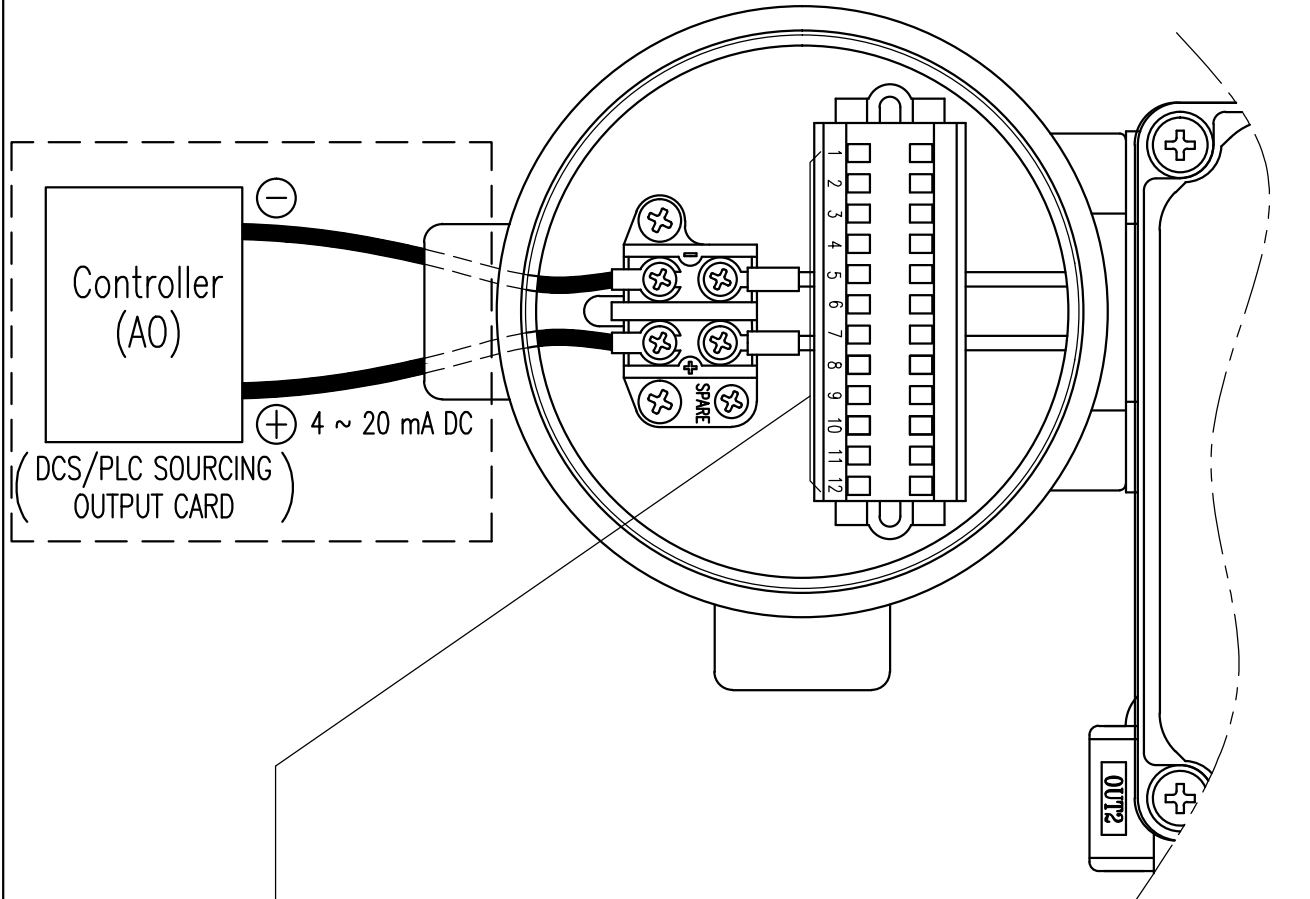


REV.NO.	REVISION DESCRIPTION	DRAWN / DATE	REVIEWED / DATE	APPROVED / DATE
△1	FIRST ISSUED	KCH/20110618	JCS/20110618	LYH/20110618
△1	DRAWING ARRANGEMENT	KSH/20160819	JJS/20160819	KTJ/20160819
△2	DRAWING ARRANGEMENT	KSH/20161124	JJS/20161124	KTJ/20161124

*** Micro Switch Rating**

AC 125V 8A / AC 250V 8A / DC 28V 5A



PROJECT NAME -

SURFACE TEXTURE		PRODUCT NAME E/P POSITIONER		YOUNG TECH CO., LTD. <small>GIMPO-SI, KOREA</small>	
FINISH TREATMENT		MODEL YT-1000R		TITLE YT-1000R + L/S(DPDT)-Internal WIRING DIAGRAM	
MATERIAL		PROJECTION	SCALE	DRAWING NO.	REV.
OTHERWISE NOTE	GENERAL TOLERANCE	QUANTITY	SHEET No.	1000-08	2

2016.07.12