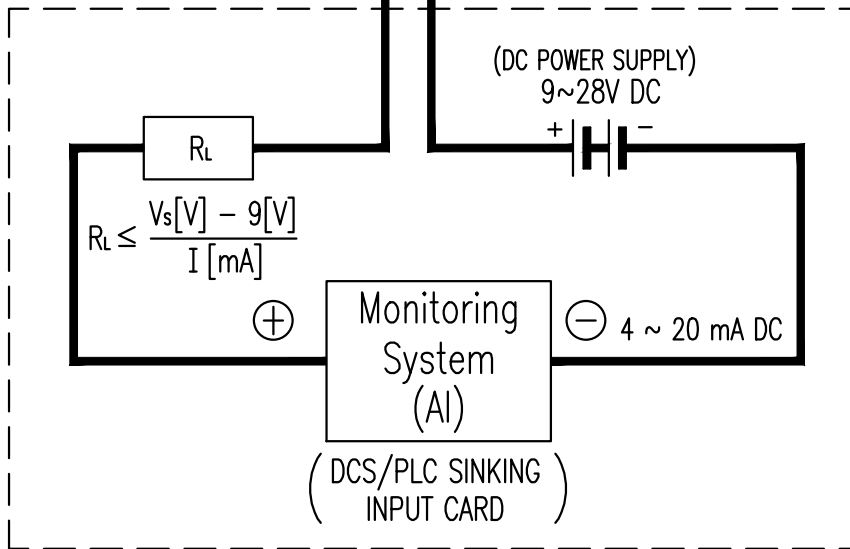
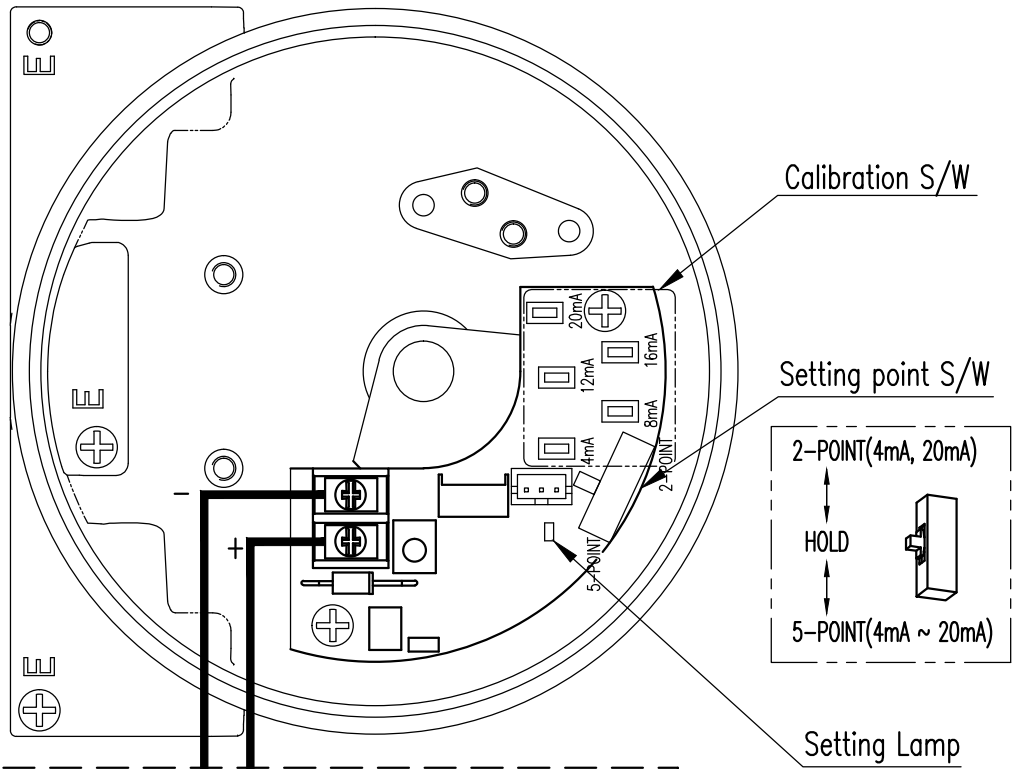


REV.NO.	REVISION DESCRIPTION	DRAWN / DATE	REVIEWED / DATE	APPROVED / DATE
△1	FIRST ISSUED	KCH/20100625	JCS/20100625	LYH/20100625
△1	DRAWING ARRANGEMENT	KBJ/20121106	JCS/20121106	LYH/20121106
△2	REVISED SPECIFICATIONS	OSS/20141219	JCS/20141219	LYH/20141219
△3	DRAWING ARRANGEMENT	KSH/20160819	JJS/20160819	KTJ/20160819
△4	DRAWING ARRANGEMENT	KSH/20161124	JJS/20161124	KTJ/20161124



NOTE

1. The PCB of SPTM-6V is applied

PROJECT NAME _____

SURFACE TEXTURE		PRODUCT NAME POSITION TRANSMITTER		YOUNG TECH CO., LTD. GIMPO-SI., KOREA	
FINISH TREATMENT		MODEL SPTM-6V		TITLE SPTM-6V STANDARD WIRING DIAGRAM	
MATERIAL		PROJECTION	SCALE	DRAWING NO. SP-07	
OTHERWISE NOTE	GENERAL TOLERANCE	QUANTITY	SHEET No.	REV. 4	

2016.07.12